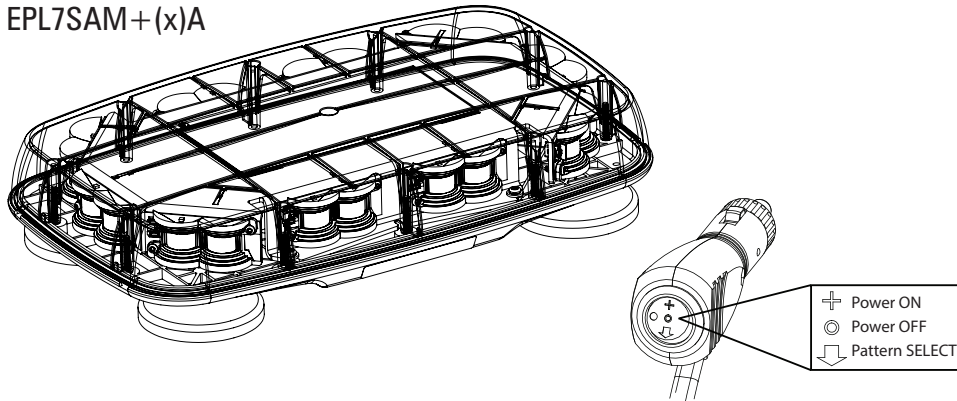




EPL7000 PINNACLE MINI LIGHTBAR MAGNET MOUNT

EPL7SAM+(x)C
EPL7SAM+(x)A



⚠ WARNING

Please see reverse for Technical Specifications

- HIGH CURRENT interconnects must be properly terminated. Poor crimp quality can cause heat build-up and fire. Follow crimp connector manufacturer instructions.
- DO NOT install this product or route any wires in the Air Bag Deployment Zone. Refer to vehicle Owner's Manual for deployment zones.
- Do NOT use system to disconnect headlights, brake lights or other safety equipment.
- Unit may become hot to touch during normal operation.
- Failure to properly install connectors, fuses or wiring may cause vehicle failure or fire.
- Installation must only be performed by trained technician. Installer must determine vehicle wiring configuration and proper integration of system.
- Use proper wire gauge. All power wires connecting to positive (+) or negative (-) battery terminal or local chassis ground (-) must be sized to supply at least 125% of max. current and properly fused at power source.
- Install protective grommets when routing wire through firewall or metal.



1.800.338.7337 / www.soundoffsignal.com

INSTALLATION:

1) Determine a clean, flat location (typically the roof) on the vehicle to mount the PINNACLE Mini Lightbar. The PINNACLE Mini Lightbar comes equipped with four magnetic feet. It is the responsibility of the installer and end user to determine whether it is safe to use magnetic mounting hardware for your application. A Permanent Mount version (EPL7PD(x)C) is available. Note: The magnetic character of roof steel varies from vehicle to vehicle. Be sure that your vehicle is capable of providing enough magnetic force to safely secure the PINNACLE Mini Lightbar to the roof.

2) A Protective Film has been provided with the PINNACLE Mini Lightbar kit that can be applied to the bottom of each magnet. This film will protect the paint of the vehicle. Apply one donut shaped decal to the bottom of each magnetic foot. Be sure to cover the magnet entirely for maximum protection to the paint finish. Note: Protective film can reduce the magnetic force by as much as 10%.

OPERATION:

Electrical Connections
& Flash Pattern Selection:

See diagram at left for Power ON (⊕), Power OFF (⊙) and Pattern SELECT (⇩) switch positions. Turn the light on by pressing the Power ON button. To change the flash pattern press and hold the PATTERN SELECT button for one to two (1-2) seconds. The PINNACLE Mini Lightbar will advance one (1) flash pattern and flash the new pattern each time this is done. The PINNACLE Mini Lightbar features non-volatile memory and will recall last pattern used. Selected pattern will remain the default once turned off and can be changed by changing the flash pattern before powering off.



NOTICE:

Installers and users must comply with all applicable federal, state and local laws regarding use and installation of warning devices.

Improper use or installation may void warranty coverage. To review our Limited Warranty Statement & Return Policy for this or any SoundOff Signal product, visit our website at www.soundoffsignal.com/sales-support. If you have questions regarding this product, contact **Technical Services**, Monday - Friday, 8 a.m. to 5 p.m. or after hours 5 p.m. to 8 p.m. EST at 1.800.338.7337 (press #4 to skip the automated message). Questions or comments that do not require immediate attention may be emailed to techservices@soundoffsignal.com.

SUPERIOR CUSTOMER RELATIONSHIPS. SMARTLY DESIGNED LIGHTING & ELECTRONIC SOLUTIONS.

EPL7SAM+(x)C 9.15



EPL7000 PINNACLE MINI LIGHTBAR MAGNET MOUNT

EPL7SAM+(x)C

EPL7SAM+(x)A

TECHNICAL SPECIFICATIONS	
Overall Dimensions:	14.25"L x 8.27"W x 2.93"H
Flash Patterns:	28 flash patterns
Input Voltage Range:	10 - 30 Vdc
Current Consumption:	2 Amps (Avg) - 4 Amps (Max)
# of LEDs:	20 Generation 3 LEDs
Operating Temperature:	-40° to +65° C
Cord Length:	125.75"

Flash Patterns		
Alternating Patterns	FPM (Flashes per Minute)	SAE Compliant
1. Warp	Alternating	NO
2. Quad	"	YES
3. Quad2	"	YES
4. Quint	"	YES
5. Double2	"	YES
6. Warp 1, 2, 3	"	NO
7. Progressive	"	NO
8. Q-Switch™	"	NO
9. Intercycle	"	NO
10. Warp	Whole Bar	NO
11. Quad	"	YES
12. Quad2	"	YES
13. Quint	"	YES
14. Double2	"	YES
15. Warp 1, 2, 3	"	NO
16. Progressive	"	NO
17. Warp	Diagonal	NO
18. Quad	"	YES
19. Quad2	"	YES
20. Quint	"	YES
21. Double2	"	YES
22. Warp 1, 2, 3	"	NO
23. Progressive	"	NO
24. Q-Switch	"	NO
25. Intercycle	"	NO
26. Rotator	"	NO
27. Cycle 1	Random	NO
28. Cycle 2	"	NO

Replacement Parts & Accessories:

PMB3BMG: Replacement Magnetic Foot (each)

PMB3MGKT: Replacement Magnetic Mount (kit)

PMB3TDC: Replacement Clear Dome



1.800.338.7337 / www.soundoffsignal.com