

LED3

MINI LIGHT

by SoundOff Signal

LED3 SURFACE MOUNT SPOTLIGHT WIDE ANGLE OPTICS/STEADY BURN EL3SSCW



Please see reverse for
Technical Specifications

Important Information:

- DO NOT install this product or route any wires in the Air Bag Deployment Zone. Refer to your vehicle Owner's Manual for the location of any air bag deployment zones.
- DO NOT connect this device to a strobe power supply.



INSTALLATION:

IMPORTANT: DO NOT over tighten mounting screws or nuts. This could cause permanent damage to the light.

1. Locate flat mounting location for the LED3 Light.
2. When the position of LED3 is determined use paper template on next page to drill hole locations. Screw mounting holes should be drilled using a 3/32" drill bit. Wire entry holes should be drilled using a 1/4" drill bit.
3. Make electrical connections.
4. Using supplied #6 x 3/4" screws, fasten LED3 to mounting surface. Be sure not to overtighten screws as this will cause hole in mounting surface to strip out. Be sure that supplied gasket is mounted between mounting surface and LED3.

OPERATION:

NOTE: The LED3 is a factory sealed unit that CANNOT be serviced in the field. Any attempt to gain access to the LED3 unit will most likely cause permanent damage and void its warranty.

IMPORTANT: DO NOT connect this device to a strobe power supply.

OPERATING INSTRUCTIONS

1. Connect the LED3 BLACK wire to a good, convenient ground.
2. Connect the LED3 RED wire to one side of a user supplied on/off switch. Connect the other side of the switch, through a 5Amp fuse, to a source of +10-16Vdc.

WIRE HOOK-UP TABLE

WIRE COLOR:	CONNECT TO:
RED	+10-16 Vdc
BLACK	Ground (-)

WARNING

This product contains high intensity LED devices. To prevent eye damage, DO NOT stare into the light beam at close range.

To review our Limited Warranty Statement & Return Policy for this or any SoundOff Signal product please visit our website at www.soundoffsignal.com and select the "Warranty & Returns" link along the left column of our home page. If you have questions regarding this product please contact Technical Services, Monday - Friday, 8 am to 5 pm at 1.800.338.7337, press #4 to skip the automated message. Questions or comments that do not require immediate attention may be emailed to techsupport@soundoffsignal.com.

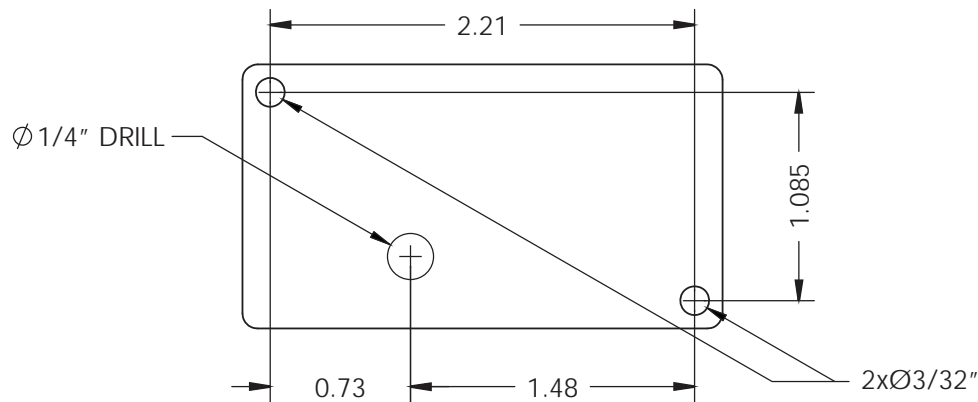
1.800.338.7337. / www.soundoffsignal.com / Thank you for trusting us with your safety!



TECHNICAL SPECIFICATIONS	
Overall Dimensions:	2.5"W x 1.375"H x 1.25"D
Input Voltage Range:	10 - 16 Vdc
Current Consumption:	<0.4 amps
Light Sync Technology:	No
# of LEDs:	3 Generation 3 LEDs
Operating Temperature:	-40° to +65° C

LED3 SURFACE MOUNT SPOTLIGHT
WIDE ANGLE OPTICS/STEADY BURN
 EL3SSCW

Drill Template for Mounting Holes/Cord Entry (See note below)



TO USE THE ABOVE LAYOUT AS A TEMPLATE MEASURE THE LINE BELOW. IF THE SCALE IS CORRECT THE LINE WILL BE 3" LONG. IF IT IS NOT, ENLARGE OR REDUCE ON A COPIER CAPABLE OF SUCH SCALING.

