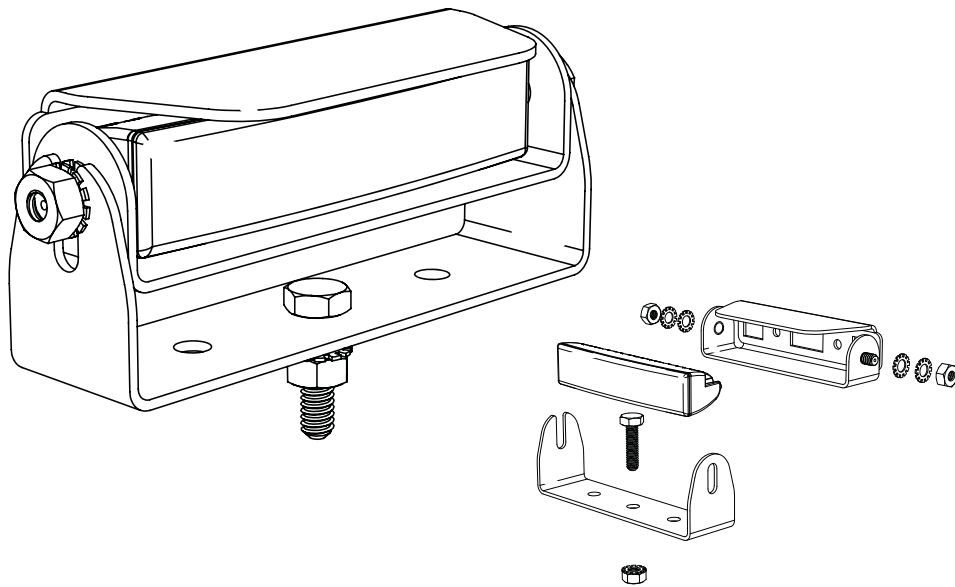


GHOST™

by SoundOff Signal

STEADY ON GHOST™ ROCK LIGHT

EGHSTS3(x)



Important Information:

- Warning devices are strictly regulated and governed by Federal, State and Municipal ordinances. These devices shall be used ONLY on approved vehicles. It is the sole responsibility of the user of these devices to ensure compliance.
- DO NOT install this product or route any wires in the Air Bag Deployment Zone. Refer to your vehicle Owner's Manual for the location of any air bag deployment zones.
- DO NOT connect this device to a strobe power supply. This product is self-contained and does not require an external power supply.

SoundOff
Signal

INSTALLATION:

Establish a flat position on the vehicle. Drill a $\varnothing 9/32$ " hole in the center of the mounting location. Attach bracket as shown using external toothed washer. Note: if 2 bolts are desired for attachment, holes should be 2.5" apart. Only one bolt is furnished.

Thread cable through center hole and screw light to upper bracket. **DO NOT OVERTIGHTEN.**

Place toothed washers over studs and insert one stud in slot. Install outer washers as shown and secure with nuts.

Make electrical connections.

TECHNICAL SPECIFICATIONS	
Overall Dimensions:	4.77"L x 1.98"H x 1.62"D
Input Voltage Range:	10-30Vdc
Current Consumption:	0.45A @ 12.8Vdc 0.23A @ 25.6Vdc
# of LEDs:	6 Generation 3 LEDs
Operating Temperature:	-40° to +65° C

OPERATION:

1. With the Red and White wires attached to +12Vdc and the black wire connected to ground, the light will function.

IMPORTANT: DO NOT connect this device to a strobe power supply.

NOTE: The GHOST is a factory sealed unit that CANNOT be serviced in the field. Any attempt to gain access to the GHOST unit will most likely cause permanent damage and void its warranty.

WIRE HOOK-UP TABLE

WIRE COLOR:	CONNECT TO:
RED	+10-30Vdc
BLACK	Ground (-)
WHITE	+10-30Vdc

WARNING

This product contains high intensity LED devices. To prevent eye damage, DO NOT stare into light beam at close range.

To review our Limited Warranty Statement & Return Policy for this or any SoundOff Signal product please visit our website at www.soundoffsignal.com and select the "Warranty & Returns" link along the left column of our home page. If you have questions regarding this product please contact Technical Services, Monday - Friday, 8 am to 5 pm at 1.800.338.7337, press #4 to skip the automated message. Questions or comments that do not require immediate attention may be emailed to techsupport@soundoffsignal.com.

1.800.338.7337. / www.soundoffsignal.com / Thank you for trusting us with your safety!