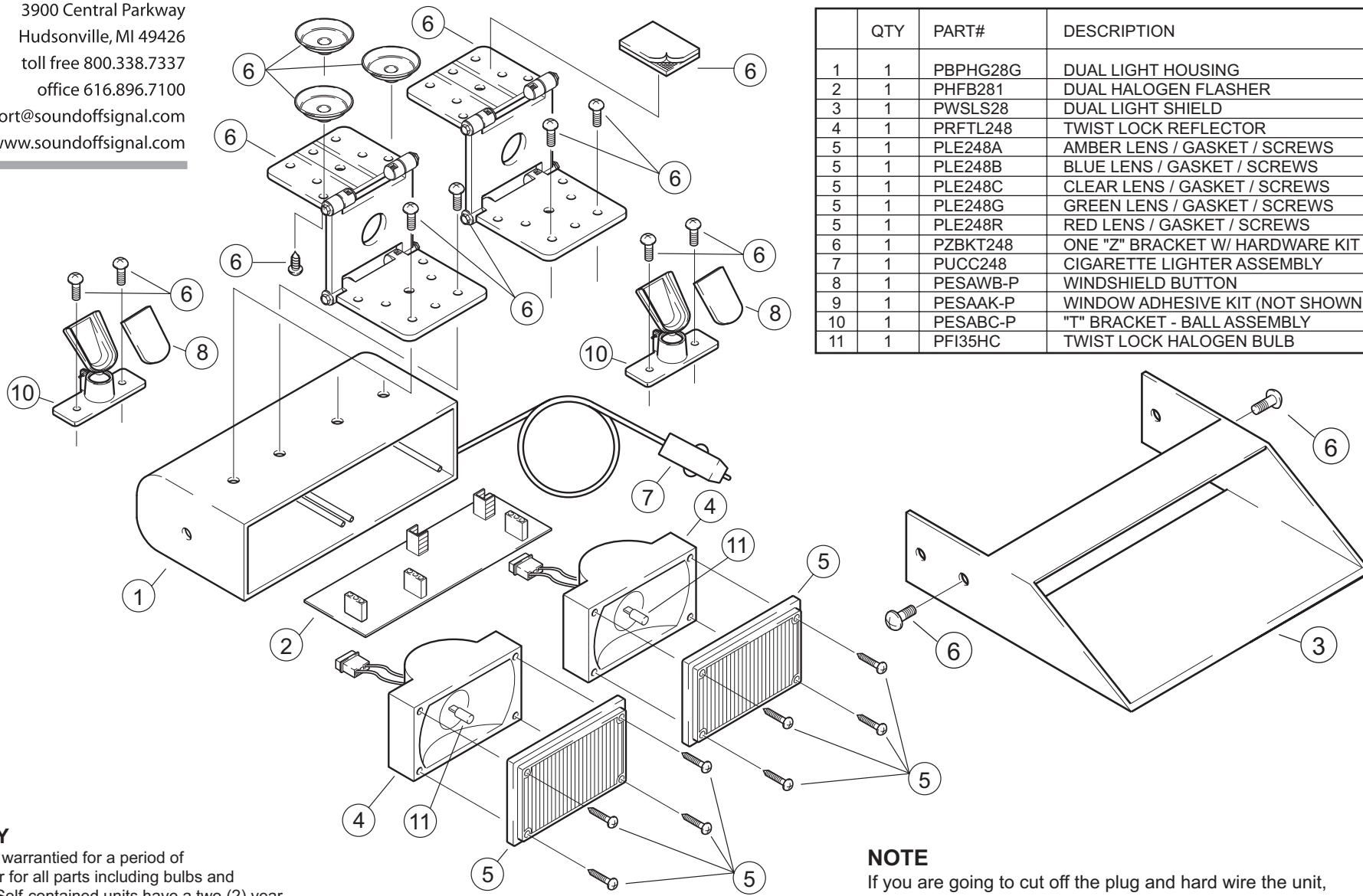


DUAL HALOGEN SELF CONTAINED WINDSHIELD LIGHT (FOR INTERIOR USE ONLY) E28HBB(x)

REPLACEMENT PART ORDER INFORMATION

	QTY	PART#	DESCRIPTION
1	1	PBPHG28G	DUAL LIGHT HOUSING
2	1	PHFB281	DUAL HALOGEN FLASHER
3	1	PWSLS28	DUAL LIGHT SHIELD
4	1	PRFTL248	TWIST LOCK REFLECTOR
5	1	PLE248A	AMBER LENS / GASKET / SCREWS
5	1	PLE248B	BLUE LENS / GASKET / SCREWS
5	1	PLE248C	CLEAR LENS / GASKET / SCREWS
5	1	PLE248G	GREEN LENS / GASKET / SCREWS
5	1	PLE248R	RED LENS / GASKET / SCREWS
6	1	PZBKT248	ONE "Z" BRACKET W/ HARDWARE KIT
7	1	PUCC248	CIGARETTE LIGHTER ASSEMBLY
8	1	PESAWB-P	WINDSHIELD BUTTON
9	1	PESAAB-P	WINDOW ADHESIVE KIT (NOT SHOWN)
10	1	PESABC-P	"T" BRACKET - BALL ASSEMBLY
11	1	PFI35HC	TWIST LOCK HALOGEN BULB



WARRANTY

This product is warranted for a period of one (1) full year for all parts including bulbs and strobe tubes. Self-contained units have a two (2) year warranty for the Power Supply and Flasher units. Warranty claims should be returned directly to Sound Off, Inc.; Att: Warranty / Repair Dept. for consideration. No Return Authorization is required.

NOTE

If you are going to cut off the plug and hard wire the unit, watch polarity! The wire with writing on it is positive. A 10 amp fuse must be installed on the positive wire for each light.