

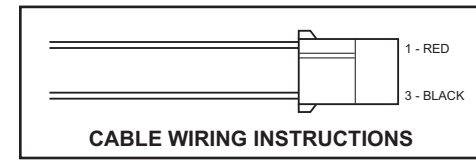
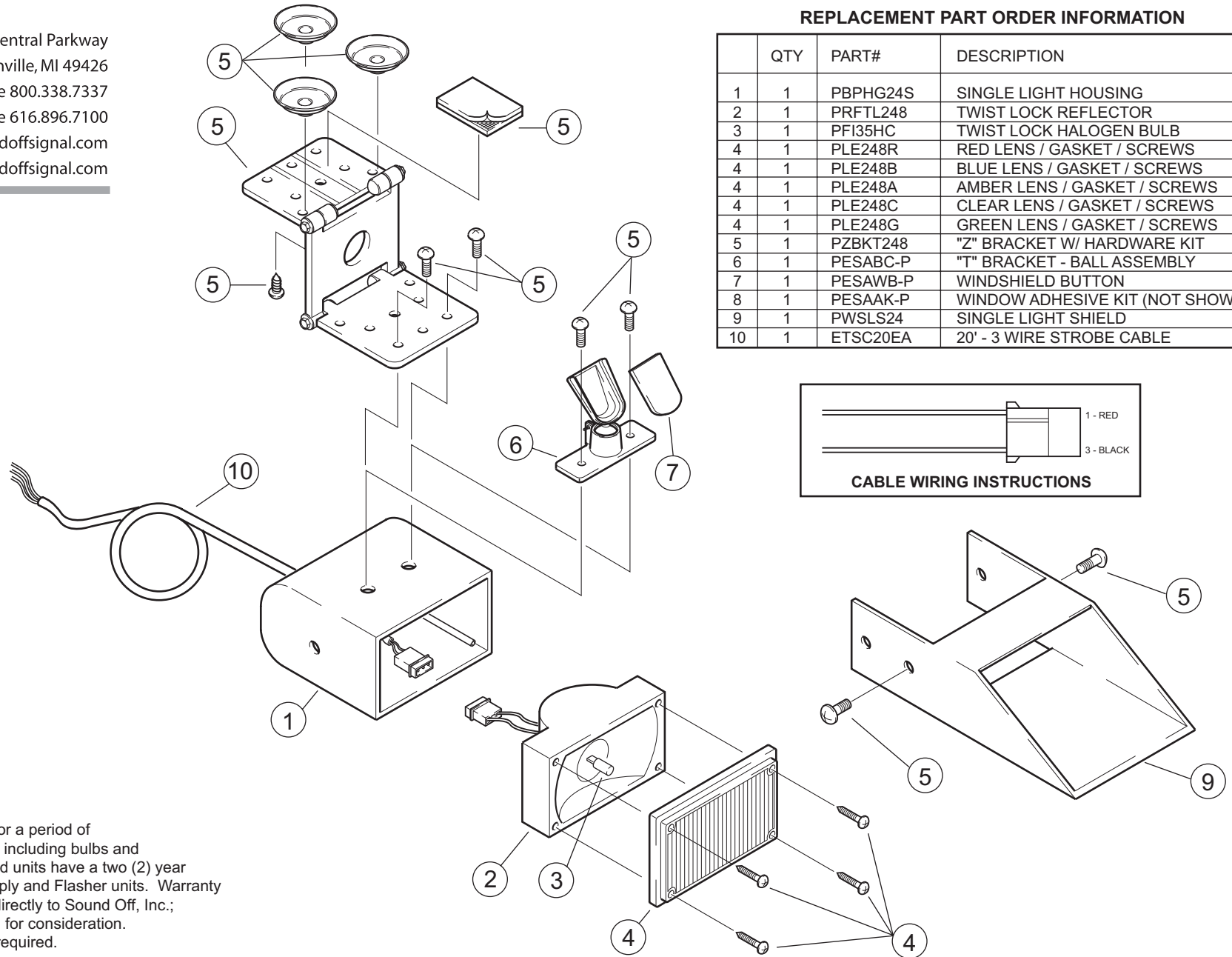


3900 Central Parkway
 Hudsonville, MI 49426
 toll free 800.338.7337
 office 616.896.7100
 techsupport@soundoffsignal.com
 www.soundoffsignal.com

REMOTE SINGLE HALOGEN WINDSHIELD LIGHT E24HHBE(x)

REPLACEMENT PART ORDER INFORMATION

	QTY	PART#	DESCRIPTION
1	1	PBPHG24S	SINGLE LIGHT HOUSING
2	1	PRFTL248	TWIST LOCK REFLECTOR
3	1	PF135HC	TWIST LOCK HALOGEN BULB
4	1	PLE248R	RED LENS / GASKET / SCREWS
4	1	PLE248B	BLUE LENS / GASKET / SCREWS
4	1	PLE248A	AMBER LENS / GASKET / SCREWS
4	1	PLE248C	CLEAR LENS / GASKET / SCREWS
4	1	PLE248G	GREEN LENS / GASKET / SCREWS
5	1	PZBKT248	"Z" BRACKET W/ HARDWARE KIT
6	1	PESABC-P	"T" BRACKET - BALL ASSEMBLY
7	1	PESAWB-P	WINDSHIELD BUTTON
8	1	PESAAB-P	WINDOW ADHESIVE KIT (NOT SHOWN)
9	1	PWSLS24	SINGLE LIGHT SHIELD
10	1	ETSC20EA	20' - 3 WIRE STROBE CABLE



WARRANTY

This product is warranted for a period of one (1) full year for all parts including bulbs and strobe tubes. Self-contained units have a two (2) year warranty for the Power Supply and Flasher units. Warranty claims should be returned directly to Sound Off, Inc.; Att: Warranty / Repair Dept. for consideration. No Return Authorization is required.