

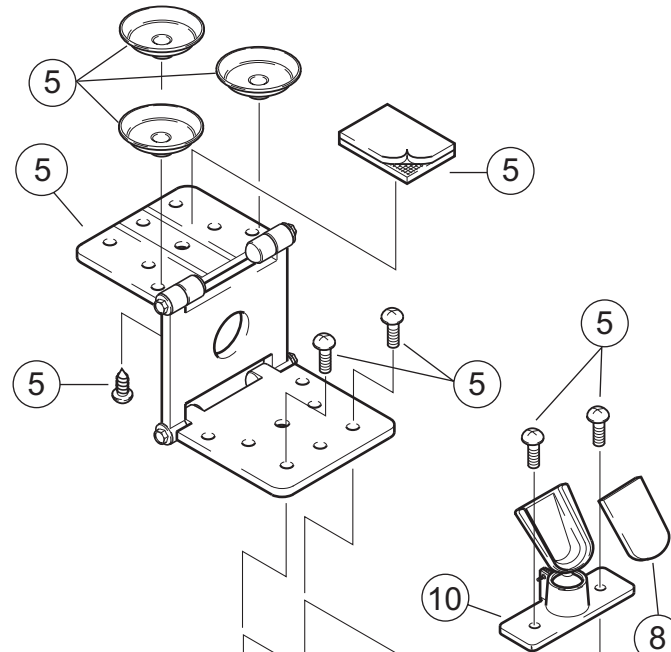


3900 Central Parkway
 Hudsonville, MI 49426
 toll free 800.338.7337
 office 616.896.7100
 techsupport@soundoffsignal.com
 www.soundoffsignal.com

SELF CONTAINED SINGLE STROBE LIGHT (FOR INTERIOR USE ONLY) E24HAB(x)

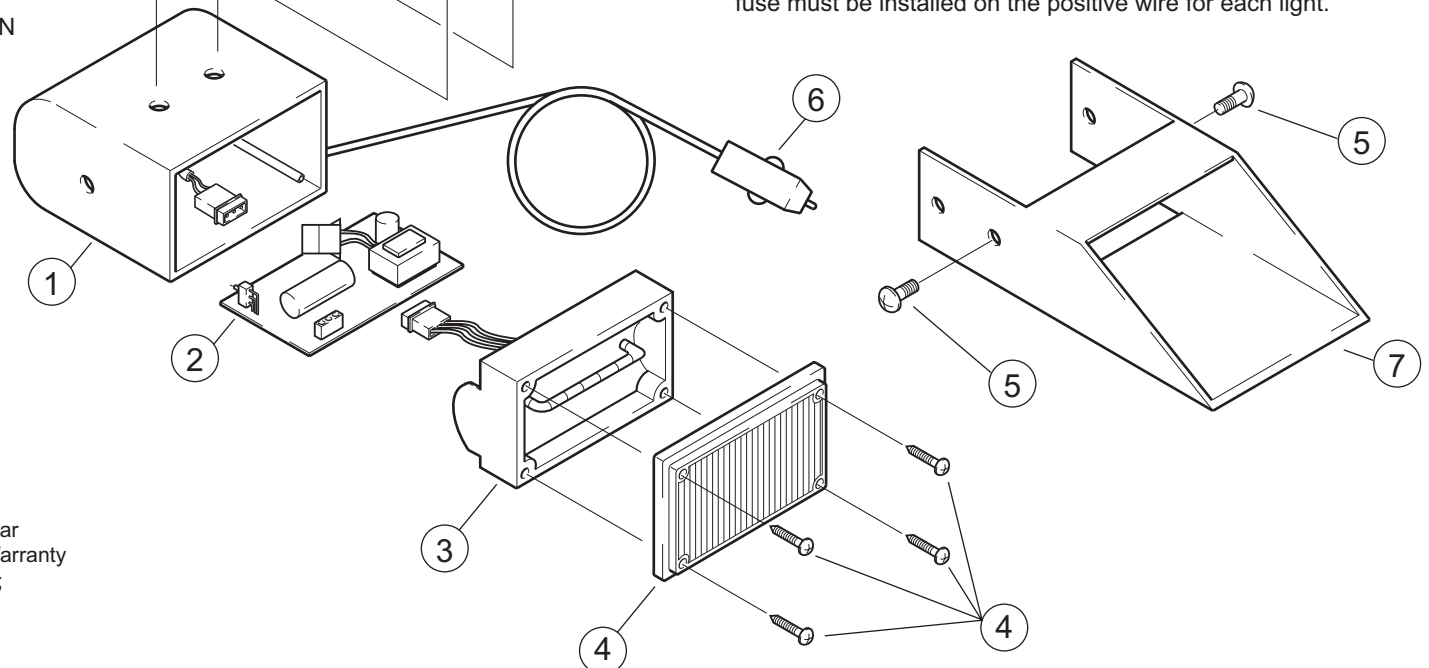
REPLACEMENT PART ORDER INFORMATION

	QTY	PART#	DESCRIPTION
1	1	PBPHG24G	LIGHT HOUSING
2	1	PPSB243	SINGLE STROBE POWER SUPPLY
3	1	PLS248RA	LINEAR REFLECTOR ASSEMBLY
4	1	PLE248R	RED LENS / GASKET / SCREWS
4	1	PLE248B	BLUE LENS / GASKET / SCREWS
4	1	PLE248A	AMBER LENS / GASKET / SCREWS
4	1	PLE248C	CLEAR LENS / GASKET / SCREWS
4	1	PLE248G	GREEN LENS / GASKET / SCREWS
5	1	PZBKT248	"Z" BRACKET W/ HARDWARE KIT
6	1	PDCC248	CIGARETTE LIGHTER ASSEMBLY
7	1	PWSLS24	SINGLE LIGHT SHIELD
8	1	PESAWB-P	WINDSHIELD BUTTON
9	1	PESAAB-P	WINDOW ADHESIVE KIT (NOT SHOWN)
10	1	PESABC-P	"T" BRACKET - BALL ASSEMBLY



FLASH PATTERN

- #1 - DOUBLE
- #2 - QUAD
- #3 - WARP



NOTE

If you are going to cut off the plug and hard wire the unit, watch polarity! The wire with writing on it is positive. A 10 amp fuse must be installed on the positive wire for each light.

WARRANTY

This product is warranted for a period of one (1) full year for all parts including bulbs and strobe tubes. Self-contained units have a two (2) year warranty for the Power Supply and Flasher units. Warranty claims should be returned directly to Sound Off, Inc.; Att: Warranty / Repair Dept. for consideration. No Return Authorization is required.