

2005+ FORD CROWN VIC PLUG-IN TRUNK LIGHT KIT ETLKPIPP(x)

NOTE

There is a driver side and a passenger side bracket. Please refer to Figures 1 and 2 to determine the difference between them.

INSTALLATION

1. Mount the driver side bracket (the larger of the two) to the existing holes near the top of the Ford inner trunk support member using 3/16" steel pop rivets.
2. Mount the passenger side bracket (the smaller of the two) to the existing holes near the top of the Ford inner trunk support member using 3/16" steel pop rivets.
3. Mount the trunk lights to the brackets as shown in Figures 1 and 2. Adjust so that the light points horizontally with the trunk open and tighten mounting nuts.
4. Plug the wire harness bullet end into the trunk light and the 2 pin Ford connector into trunk lid vehicle harness.

NOTE

Should the lights fail to flash, check to make sure that the mounting bracket is making ground contact with the vehicle.

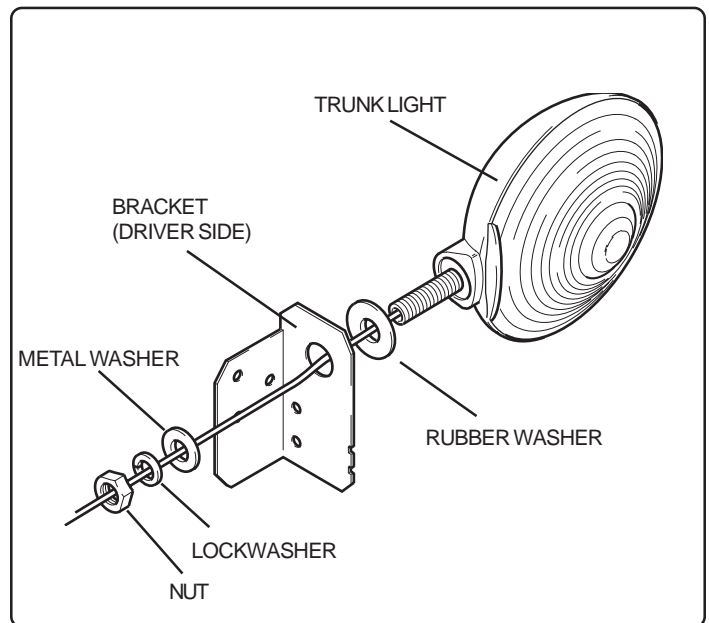


Figure 1. Driver Side Assembly

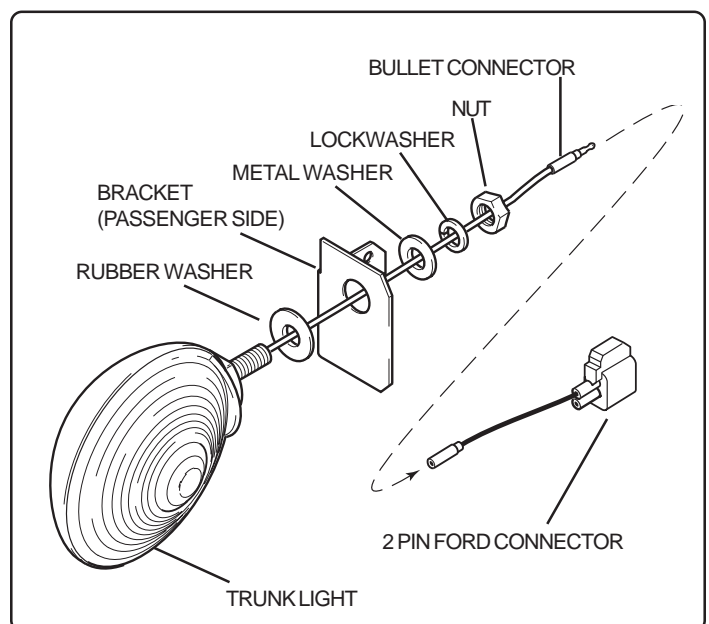


Figure 2. Passenger Side Assembly