

ECONOMY HALOGEN DIRECTIONAL BAR ETTMHEC08

INTRODUCTION

The enclosed light bar is a high intensity traffic Directing Warning Bar that is compact enough to be mounted almost anywhere. The light bar offers 8 high intensity 27 Watt Halogen warning modules while consuming less than 12.6 amps.

The light bar comes complete with two directional patterns: "Solid Arrow-Right" and "Solid Arrow-Left" plus a "Center Out" warning pattern.

SPECIFICATIONS

Input Voltage	11-16 Vdc
Polarity	Negative ground only
Operating Temperatures	-30°C to +65°C
(+) Battery Fuse	20 Ampere ATO type
Output Drive Capability (total)	8-27w Halogen Lamps
Dimensions:	Height: 2.625" Length: 42" Depth: 3.3"
Cable Length:	15 ft.

WARNING

These lights are intended to be operated by authorized personnel and used as "SECONDARY" warning only. It is the user's responsibility to understand and obey all laws regarding emergency warning devices.

Installation and Mounting WARNING

- **Do Not** use insulation displacement connectors (e.g. 3M ScotchLock type connectors).
- Use ATO blade type fuses **ONLY!**
- Place fuse as **CLOSE** to power take off point as possible.

NOTE: Before mounting bar, consideration should be given to cable length, routing, and control switch placement.

INSTALLATION AND MOUNTING

1. Select and assemble the adjustable "L" Bracket that fits your specific need. (See figure 1)

Standard Bracket - recommended for rear deck and light bar mounting.

Heavy Duty Bracket - for use when light bar will be subjected to high winds, vibration and/or severe stress.

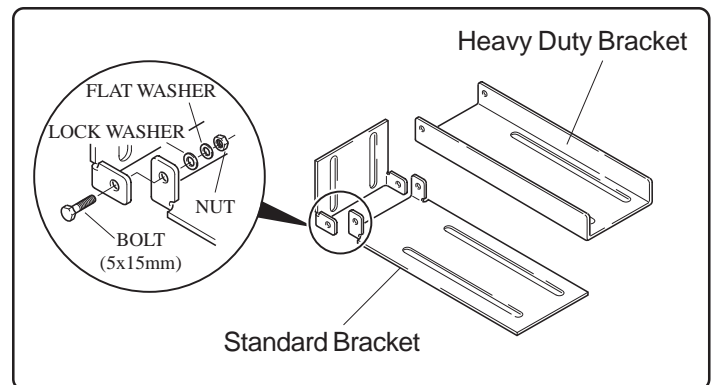


Figure 1. "L" Bracket Assembly

2. Connect "L" Bracket to back of light bar using the 5mm nuts and bolts provided. Adjust "L" Bracket for proper height, position, and angle and secure by tightening all nuts and bolts.
3. Mount the light bar to desired location, with user supplied nuts and bolts.

CAUTION: Drilling holes can damage unseen parts. Make sure all areas around drill hole are clear.

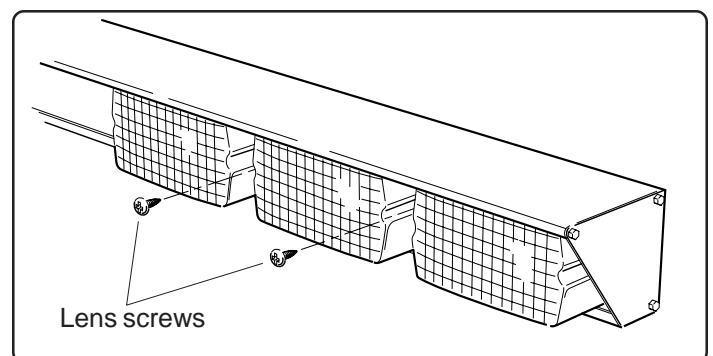


Figure 4. Module Replacement

4. Route power / control cables to area you want to mount control switches. Looms, grommets and/or cable ties should be used to anchor and protect all wiring.

5. Assemble the control switches (Black and Red Rocker Switches) in the switch bracket as shown in figure 2, below, noting exact positions of switch markings ('I' and 'O').

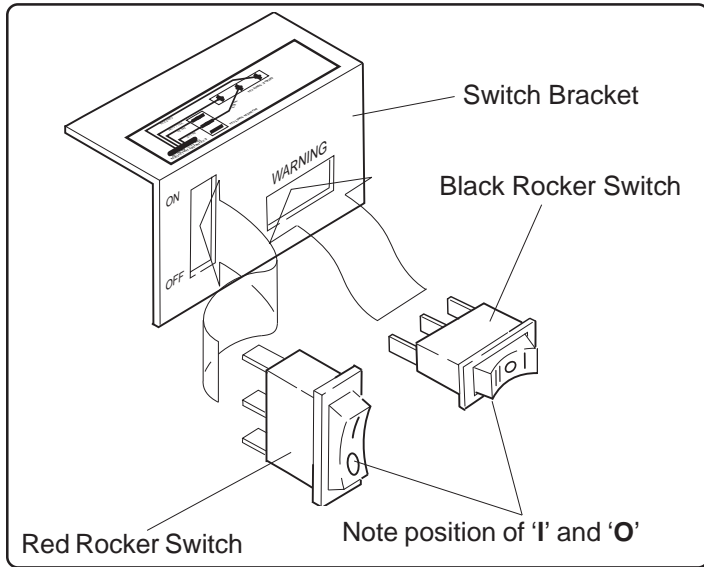


Figure 2. Switch Assembly

6. Connect control cable to switches in switch bracket. (See figure 3)

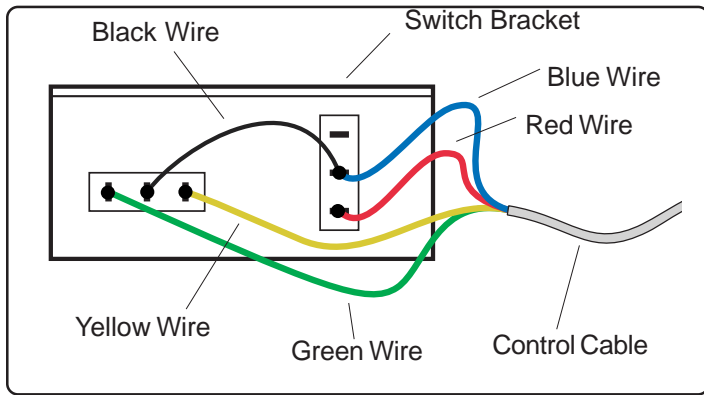


Figure 3. Wire Connections

7. Mount control switch using user supplied screws.
8. Route **Black** wire to a good ground. Cut to length and secure, using user supplied hardware.
9. Route the **Red** wire to a +11-16Vdc power source. Install a user supplied 20 amp ATO type fuse to one end of **Red** wire. Connect the other end of the fuse to power source.

NOTE: Locate fuse as close to power source as possible.

OPERATION

1. Turn power switch “ON”
 - a) The directional / hazard pattern will operate as selected by hazard switch.
2. Hazard Switch
 - a) Right position - The light bar will display a Sequence Right” pattern.
 - b) Left position - The light bar will display a “Sequence Left” pattern.

c) Center position - The light bar will display a “Center Out” warning pattern (four middle lights alternate against the two outside lights on both ends).

MAINTENANCE

Clean plastic lens using a mild soap and soft cloth only. The use of strong detergents, solvents, or petroleum products may damage the lens.

Fine scratches can be removed with a nonabrasive, high quality, automotive paste cleaner / wax and a soft cloth.

LAMP REPLACEMENT

Note:

- a) The use of higher wattage lamps can result in damage to the colored lens.
- b) Service life of lamp will be shortened if glass is touched. If touched it should be cleaned with a solvent cleaner before operating.

WARNING

Always allow lamp to cool before removing. Serious injury could result if lamp is touched when hot.

1. Remove the two lens screws and carefully pull the lens straight out (See figure 4).
2. Remove defective lamp by carefully pulling it out of its socket.
3. Install new lamp by aligning lamp pins with socket holes and pushing lamp into socket.
4. Replace lens and tighten lens screws. **DO NOT OVERTIGHTEN!**

WARRANTY

SoundOff Signal warranties the ECONOMY HALOGEN DIRECTIONAL BAR (ETTMHEC08) for 1 full year from date of purchase, to the original purchaser, against any manufactured defects of workmanship. This warranty applies only to units installed according to manufacturer's installation instructions and operated within the units specifications.

SoundOff Signal's obligation under this warranty is limited to repairing or exchanging the unit. Warranty is void if the unit was installed incorrectly or maliciously damaged.

SoundOff Signal retains the right to be the sole mediator of what constitutes defects in performance or manufacturing.