



3900 Central Parkway  
 Hudsonville, MI 49426  
 toll free 800.338.7337  
 office 616.896.7100  
 techsupport@soundoffsignal.com  
 www.soundoffsignal.com

**WARNING:** Warning devices are strictly regulated and governed by Federal, State and Municipal ordinances. These devices shall be used ONLY on approved vehicles. It is the sole responsibility of the user of these devices to ensure compliance.

**MOUNTING INSTRUCTIONS**

Before starting the installation make certain you have the correct bracket for your application. A universal Deck/Dash mount bracket is supplied. For other mounting brackets, see product literature or visit our website.

Install the UltraLITE by following the assembly instructions provided with the brackets and check for security.

Important: DO NOT over tighten mounting screws or nuts. This could cause permanent damage to the light or bracket. Use appropriate hardware for mounting.

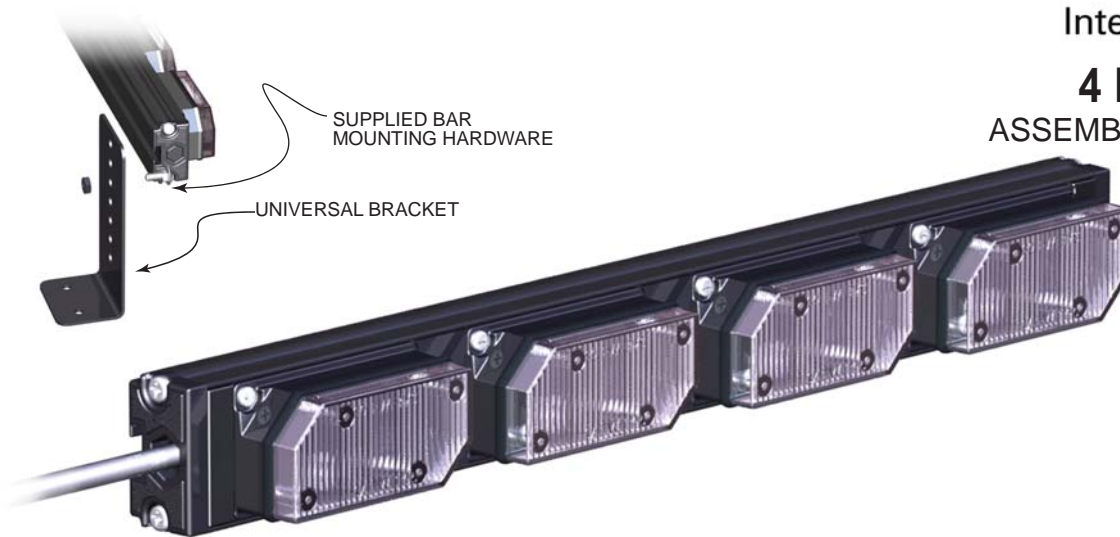
Universal bracket shown is supplied but mounting screws are customer supplied.

**PATTERN SELECTION**

1. Connect black wire to ground.
2. Connect red wire to +12Vdc
3. Apply +12Vdc to white wire for less than one second (momentary) to move forward one pattern.
4. Apply +12Vdc to white wire for one second (until the lights dim) to move backwards one pattern
5. Apply +12Vdc to white wire for more than two seconds (until the lights turn off) to turn off the UltraLITE.
6. To turn the unit back on, apply +12Vdc to the white wire momentarily.

**⚠ WARNING**

This product contains high intensity LED devices. To prevent eye damage, DO NOT stare into light beam at close range.



Interior Warning Bar  
**4 MODULE BAR**  
 ASSEMBLY INSTRUCTIONS  
 EL3H04A00(x)

**FLASH PATTERNS**

| #  | Pattern Name           |                                |
|----|------------------------|--------------------------------|
| 1  | Quint Flash            | Alternating                    |
| 2  | Warp Flash             | Alternating                    |
| 3  | Inter-cycle Flash      | Alternating                    |
| 4  | Double Flash           | Alternating                    |
| 5  | Quad Flash             | Alternating                    |
| 6  | 3 Flashes / Second     | Alternating                    |
| 7  | 3 Flashes / Second     | Simultaneous                   |
| 8  | Q-Switch               | Alternating                    |
| 9  | Driver Side            | Steady Burn                    |
|    | Passenger Side         | Road Runner Flash              |
| 10 | Driver Side            | Steady Burn                    |
|    | Passenger Side         | Quint Flash                    |
| 11 | E-Pattern Single Flash | Alternating                    |
| 12 | E-Pattern Double Flash | Alternating                    |
| 13 | E-Pattern Single Flash | Simultaneous                   |
| 14 | E-Pattern Double Flash | Simultaneous                   |
| 15 | Q-Switch               | Every other                    |
| 16 | LiteRyder              | Slow Sweep                     |
| 17 | LiteRyder 2            | Fast Sweep                     |
| 18 | Progressive            | Alternating                    |
| 19 | Center                 | Steady Burn                    |
|    | Ends                   | RoadRunner Flash - Alternating |
| 20 | Center                 | Steady Burn                    |
|    | Ends                   | Intercycle - Alternating       |
| 21 | Center                 | Steady Burn                    |
|    | Ends                   | Q-Switch - Alternating         |

| WIRE HOOK-UP TABLE |                |
|--------------------|----------------|
| Wire Color         | Connect to:    |
| Red                | +12Vdc         |
| Black              | Ground (-)     |
| White              | Pattern Select |

Input Voltage: 10-16Vdc  
 Current: 2 Amps Maximum

