

## FLASHER MODULE TO STROBE LED LIGHTS ETLEDFC1

The ETLEDFC1 will operate an LED Lamp Module on any vehicle with a 12 Vdc negative ground system.\*

### WARNING

**This device is intended for use with LED Lights ONLY!!**

**Use of this product on Incandescent, Halogen or any light source other than LED's will damage the unit and void the warranty.**

The device is designed to flash any 12 volt LED Light up to 3 amps load. DO NOT connect more than 3 amp load to the output. Doing so will damage the unit and void the warranty.

### INSTALLATION

**MOUNTING:** Mount the Flasher in a convenient location.

**BLACK WIRE:** Connect to a convenient reliable ground.

**ORANGE WIRE:** Connect to LED Light(s) with 3 amps or less current requirements.

**RED WIRE:** Connect to a source of power thru a 3 amp fuse.

### WARRANTY

SoundOff Signal warrants the ETLEDFC1 Flasher Module for 1 (one) full year from the date of purchase to the original purchaser against any manufacturer defects or workmanship. This warranty applies only to units installed according to manufacturers installation instructions and operated within the units specifications.

Warranty is void if the unit was installed incorrectly or maliciously damaged.

All warranty claims must be accompanied by a dated proof of purchase.

SoundOff Signal retains the right to be the sole mediator of what constitutes defects in performance or manufacturing.

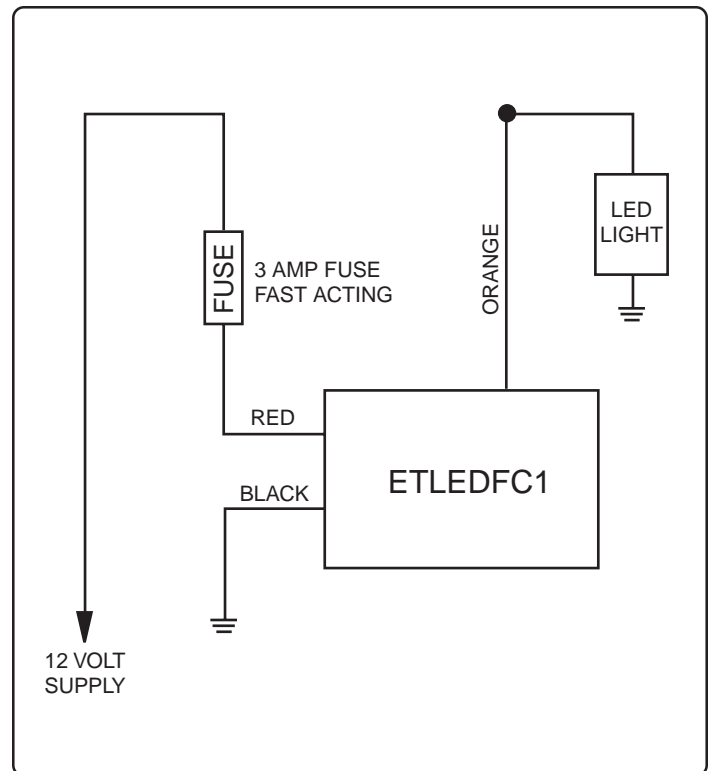


Figure 1. Wiring Schematic