



3900 Central Parkway
Hudsonville, MI 49426
toll free 800.338.7337
office 616.896.7100

techsupport@soundoffsignal.com
www.soundoffsignal.com

TAHOE POLICE PACKAGE PLUG IN FLASHER 2007+ VEHICLES

ETHTAH0-07+

WARNING: Warning devices are strictly regulated and governed by Federal, State and Municipal ordinances. These devices shall be used ONLY on approved vehicles. It is the sole responsibility of the user of these devices to ensure compliance.

Operating Specifications:

9-16 Vdc Input

Output: 55 Watt Load on each of 2 outputs
High Beam Override, disables flasher when
hi-beams are activated

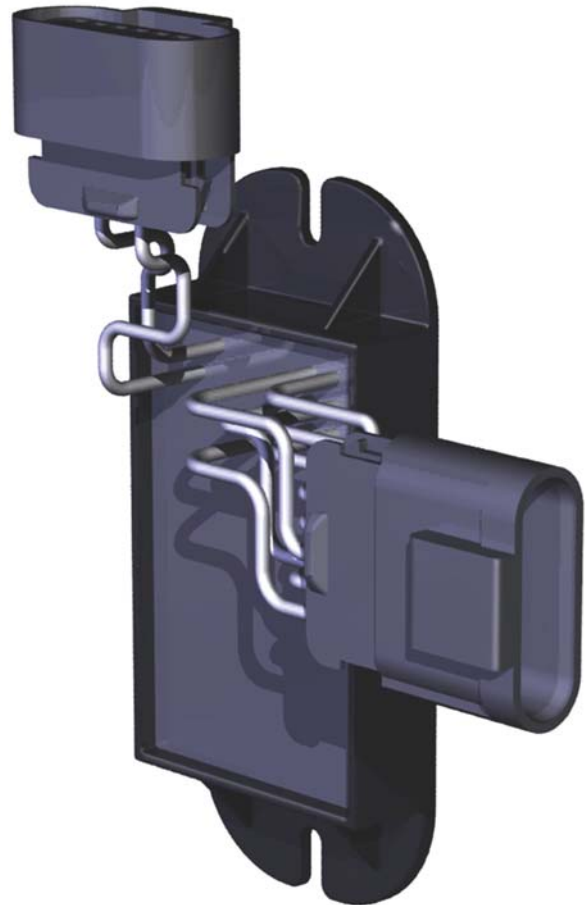
Less than 10mA standby current

Also protected against:

- Loss of ground
- Under voltage
- Transient protection
- 100% Solid State

Mounting Instructions:

1. Mount flasher to sheet metal below the passenger's side front headlamp and forward of the passenger's side front wheel. Install appropriately sized bolts and tighten.
2. Disconnect the forward lamp wire harness plug (located inside front passenger side wheel well) and connect to the matching Flasher Plugs.
3. With the 6J7 or 6J3 option: connect the GRN/RED activation wire to one terminal of an ON/OFF switch. Connect the other terminal of the switch to a source of +12Vdc power. This wire can be found coiled under dash between both footwells.



IMPORTANT NOTE

Flashing Headlight and Taillight Systems are intended for use on approved vehicles ONLY. It is the responsibility of the user of these systems to insure compliance to any Federal, State or Municipal regulations which may apply.

NO HASSLE WARRANTY

SoundOff Signal warrants the Headlight Flasher System for five (5) full years from the date of purchase to the original purchaser against any manufacturing defects or workmanship. This warranty applies only to units installed according to the manufacturer's installation instructions and operated within the unit's specifications.

Warranty is void if the unit was installed incorrectly or maliciously damaged.

All warranty claims must be accompanied by a dated proof of purchase.

SoundOff Signal retains the right to be the sole mediator of what constitutes defects in performance or manufacturing.