

## DUAL EXTERIOR DECK / GRILLE WARNING SYSTEM ASSEMBLY INSTRUCTIONS EPRDDGS1(x)



**⚠ WARNING**

**This product contains high intensity LED devices. To prevent eye damage, DO NOT stare into light beam at close range.**

**IMPORTANT: DO NOT** connect this device to a strobe power supply.

### FLASH PATTERNS for DUAL HEAD EXTERIOR PREDATOR (EPRDDGS1(x))

#	Pattern Name	1 Light	Alternating 2 Lights	Simultaneous 2 Lights	X-Pattern 4 Lights	Flashes/ Minute
1	Quint	X	X	X		70
2	Warp	X	X	X		350
3	Inter-Cycle Flash	X	X			
4	Double Flash	X	X	X		70
5	Quad Flash	X	X	X		80
6	Power Pulse	X	X	X		180
7	Road Runner	X	X	X		113
8	Q-Switch	X	X			
9	Road Runner Steady Burn	X	X			113
10	Quad Steady Burn	X	X			80
11	E-Ideal Single Flash	X	X	X		200
12	E-Ideal Double Flash	X	X	X		146
13	Quad2 Flash	X	X	X		67
14	Double2 Flash	X	X	X		95
15	X-Warp				X	
16	X-Double				X	
17	PowerRunner	X	X	X		
18	LCR Quint	X	X	X		
19	Warp <sup>2</sup>	X	X	X		
20	Ultra Warp	X	X	X		545
21	Thunder and Lightning	X	X			
22	LiteSpeed	X	X	X		85
23	SuperSonic	X	X	X		170
24	LCR LiteSpeed	X	X	X		
25	Super Sonic Ultra	X	X	X		
26	Tempo Shift	X	X	X		
27	TempoShift Warp	X	X	X		67
28	SBE <sup>2</sup>	X	X	X		200
29	C <sup>2</sup>	X	X	X		176
30	U <sup>2</sup>	X	X	X		
31	UltraGlow	X	X	X		
32	Cyclone	X	X	X		
33	Chameleon	X	X	X		

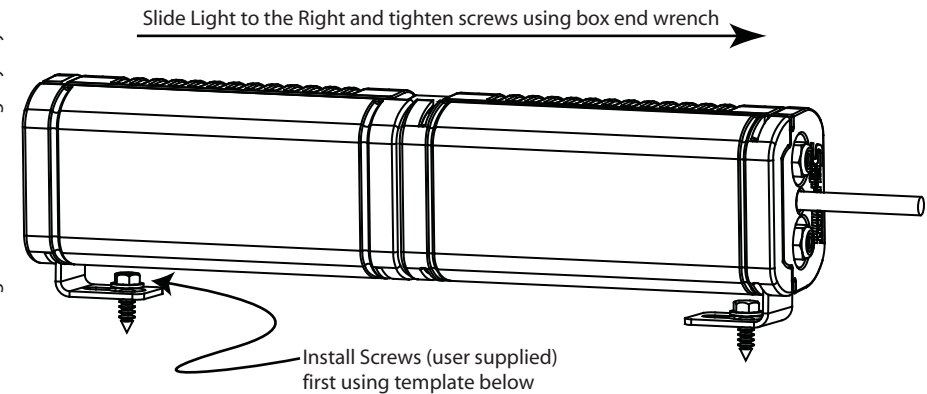
**WARNING:** Warning devices are strictly regulated and governed by Federal, State and Municipal ordinances. These devices shall be used **ONLY** on approved vehicles. It is the sole responsibility of the user of these devices to ensure compliance.

### BRACKET MOUNTING

**Important: DO NOT** over tighten mounting screws or nuts. This could cause permanent damage to the bracket

1. Locate flat mounting location for Predator Light Bracket.
2. When position of bracket is determined use supplied template for hole locations.
3. Drive in Customer Supplied Hex Head screws. Leave about a 1/16" space between the mounting surface and underside of screw head.
4. Place Light over screws using the holes in brackets and slide to the right to lock the brackets underneath the head of the bolts.
5. Using an open-end wrench, tighten the hex head bolts down tight to secure the light to the mounting surface.
6. Adjust angle of the light to best suit your application by loosening the 2 nuts on either end of the light.
7. After the Predator is set to the desired angle, tighten the 2 nuts on either end of the light. **DO NOT OVER TIGHTEN** nuts as damage to bracket or light can occur. Tighten nut until snug plus 1/8 turn.
8. Make electrical connections using the following instructions.

Place Light over screws using keyway in brackets

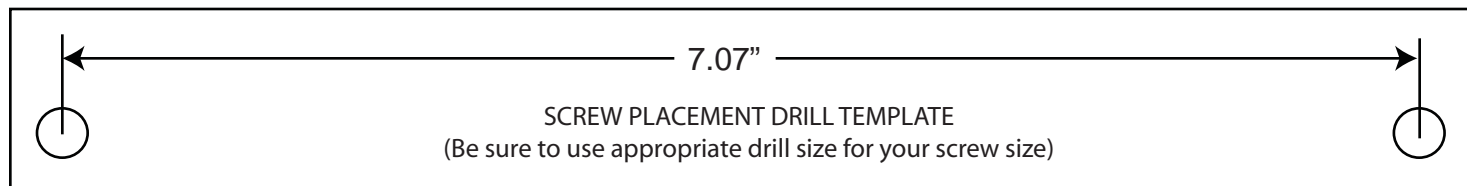


### ID SELECTION

1. Identify which pattern and sequence preferred and look up ID#s on the table provided on the second page.
2. Connect the PREDATOR WHITE wire to the same source as the RED wire (Note: you will need to disconnect after power is applied)
3. Turn PREDATOR ON
4. Without disconnecting power from unit, disconnect WHITE wire
5. Momentarily Touching and removing the WHITE wire to ground will advance the PREDATOR to the next ID#. The ID# can be identified by the number of sequential flashes from 1 up to 4. ID# 1 should be used if not synchronizing with other lights.
6. Once the ID is selected DISCONNECT power.

### OPERATING INSTRUCTIONS

- See setup procedure on second page.  
The single Predator comes equipped with an internal flasher with 33 user selectable patterns that can be synchronized either alternating or simultaneous with up to three other lights. It can also be put into slave mode and driven through an external flasher.
1. Connect the PREDATOR BLACK wire to a good, convenient ground.
  2. Connect the PREDATOR RED wire to one side of a user supplied on/off switch. Connect the other side of the switch, through a 5Amp fuse, to a source of +10-16Vdc.





3900 Central Parkway  
Hudsonville, MI 49426  
toll free 800.338.7337  
office 616.896.7100

techsupport@soundoffsignal.com  
www.soundoffsignal.com

# DUAL EXTERIOR DECK / GRILLE WARNING SYSTEM

## ASSEMBLY INSTRUCTIONS

### EPRDDGS1(x)



TECHNICAL SPECIFICATIONS	
Overall Dimensions:	8.54"x2.35"x1.75"
Flash Patterns:	33
Input Voltage:	10-16Vdc
Current Consumption:	1.1~2.0 Amps*
Light Sync Technology:	Yes
Operating Temperature:	-20° to +65° C

\*Pattern Dependent

### Predator Sync Configuration Instructions

#### IMPORTANT! A MAXIMUM OF 4 SINGLE LIGHTS CAN BE SYNCED TOGETHER

- Set ID#
  - Identify which pattern and sequence you want and look up ID# settings below.
  - Connections
    - RED: +10-16Vdc
    - WHT: +10-16Vdc (Note: you will need to disconnect after power is applied)
    - BLK: Ground
  - Apply power to unit
  - Without disconnecting power from unit, disconnect WHT wire
  - Momentarily connect WHT to Ground to change ID #
    - Identify ID# by number of sequential flashes
    - Possible ID#s: 1 – 4
  - Disconnect power from unit to get out of ID mode.
- Set Pattern
  - Reapply power to units.
  - Once all Light Head ID#s are configured, make sure all lights are flashing the same pattern
  - Connect corresponding colored wires of all units together: RED to RED, etc.
  - Change Pattern
    - Momentarily connect WHT wires to Ground
    - Observe pattern change on all lights connected
  - Insulate all wires by taping with electrical tape
- Connect Master Switch for Application
  - IMPORTANT!** Ensure WHT Pattern/Sync Wires are tied together

#### 1 DUAL LIGHT

- Follow the ID selection steps and set the PREDATOR to the following ID:
- Alternating (default): ID#1 or ID#3. (includes cycle patterns and steady burn patterns)
  - Simultaneous: ID#2 or ID#4. (both lights will flash together regardless of pattern)

#### 2 DUAL LIGHTS

- Follow the ID selection steps and set the PREDATOR to the following ID:  
\*\*\*IMPORTANT: Make sure both lights flash the same pattern!\*\*\*
- Both lights alternating together with individual lights alternating
    - Ex. 2x RED/BLUE Dual's; (RED alt. BLUE) alt. (RED alt. BLUE)
  - Set both PREDATOR's to **ID#1**

#### X-Pattern Sequence X-Pattern Light Head Placement

ID#1 > ID#4 > ID#2 > ID#3

ID#4	ID#2
ID#3	ID#1

- Both lights alternating opposite with individual lights alternating.
  - Ex. 2x RED/BLUE Dual's; (RED alt. BLUE) alt. (BLUE alt. RED)
  - Set one PREDATOR to **ID#1** and the other to **ID#3**
- Both lights alternating with individual lights simultaneous
  - Ex. 1x BLUE/BLUE & 1x RED/RED (RED sim. RED) alt. (Blue sim. Blue)
  - Set one PREDATOR to **ID#2** and the other to **ID#4**
- Both lights simultaneous with individual lights simultaneous.
  - Ex. 2x RED RED (RED sim. RED) sim. (RED sim. RED)
  - Set both Predator's to **ID#2**

X-PATTERN - To obtain X-Patterns, follow the ID SELECTION steps and set one of the four PREDATOR lights to ID#1, one to ID#2, one to ID#3, and one to ID#4. Then proceed to the PATTERN SELECTION steps. NOTE: Be sure to mount each PREDATOR in the correct placement based on ID#.

#### PATTERN SELECTION

- Disconnect WHITE wire from any connections if applicable.
- Turn PREDATOR ON.
- Momentarily touching and removing the WHITE wire(s) to ground will advance the PREDATOR to the next flash pattern. Touching and removing the White wire for more than a few seconds will allow you to change the PREDATOR to the previous pattern. See flash pattern table. Continuing to touch and remove the WHITE wire(s) to ground will allow you to scroll through the pattern list. After pattern #33 is reached the list will start over again at pattern #1.

NOTE: The PREDATOR is equipped with flash pattern memory. Once you have selected a pattern the PREDATOR will always activate to that pattern every time the unit is turned on. Tape up and secure WHITE wire so that it will not accidentally change your selected pattern.

#### PATTERN RESET

- Remove Power.
- Place WHITE (sync) wire to ground.
- With sync wire grounded, re-power RED wire.
- Maintain for one second (light will dim).
- Remove power and ground (pattern 1 set)

#### SLAVE MODE

The PREDATOR is capable of being activated through the use of a user supplied flasher by putting it in slave mode.

- Permanently connect the PREDATOR WHITE and BLACK wire to a good, convenient ground.
- Connect the PREDATOR RED wire, through a 5Amp fuse, to the output of a +10-30Vdc switching flasher.

NOTE: The PREDATOR is a factory sealed unit that CANNOT be serviced in the field. Any attempt to gain access to the PREDATOR unit will most likely cause permanent damage and void its warranty.