

## CHMSL WARNING LIGHT ASSEMBLY INSTRUCTIONS EP2FPCWS(x)

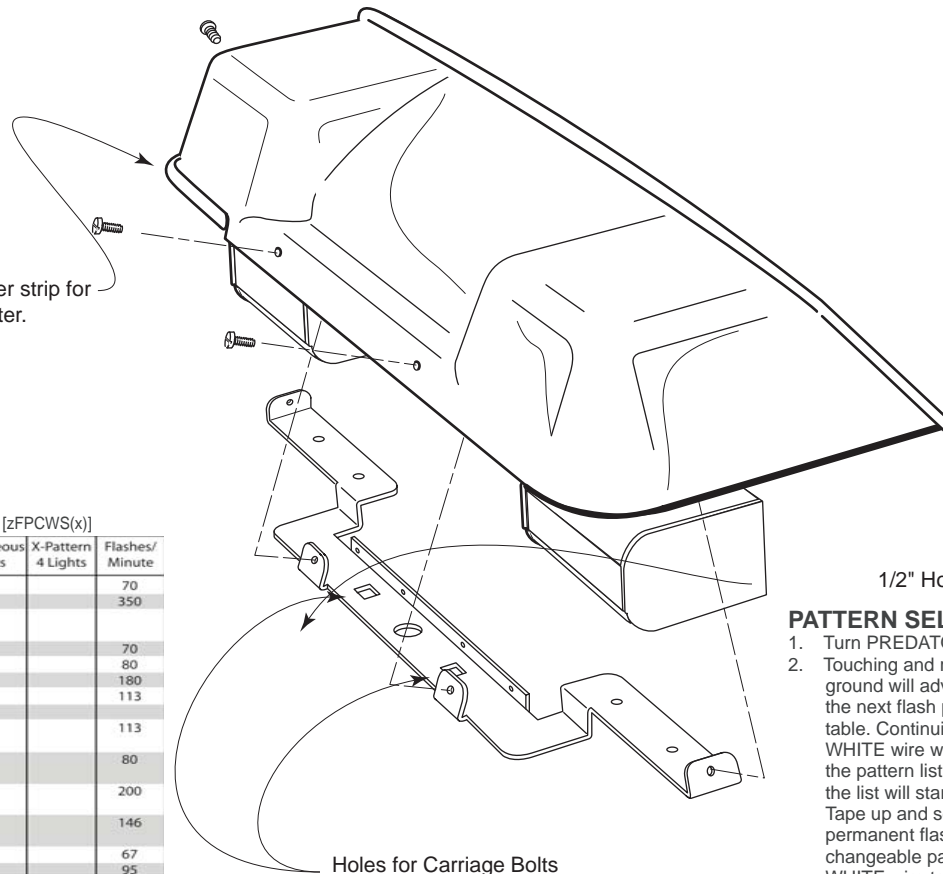


**WARNING:** Warning devices are strictly regulated and governed by Federal, State and Municipal ordinances. These devices shall be used ONLY on approved vehicles. It is the sole responsibility of the user of these devices to ensure compliance.

### MOUNTING INSTRUCTIONS

- After the accuracy of the template is confirmed, trim the shaded area of the enclosed mounting template and place around CHMSL (Center High Mount Stop Light) on rear deck. Mark the hole locations indicated on the template.
- Drill a 1/2" hole on the center mark and 5/16" holes on the two end marks.
- Feed the cable from the PREDATOR II Assembly through the 1/2" hole.
- Align the PREDATOR II Mounting Assembly over the two 5/16" holes and insert the Carriage Bolts, from the parts kit, through the top of the bracket into the trunk.
- Install the lock washer and nuts on the 5/16 bolts and tighten.
- Align the PREDATOR II Shroud with the mounting holes in the mounting bracket.
- Fasten the shroud to the mounting bracket using the self threading screws in the parts kit. NOTE: Always fasten the back two screws first then the two side screws. The side screws need to be tightened so head of screw is flush with plastic. Over tightening will cause plastic to dimple.
- Follow the Instructions for wiring and operating information.

Remove this rubber strip for 2003 models or later.



1/2" Hole for Power Cable

FLASH PATTERNS for CHMSL PREDATOR [zFPCWS(x)]

#	Pattern Name	1 Light	Alternating 2 Lights	Simultaneous 2 Lights	X-Pattern 4 Lights	Flashes/Minute
1	Quint	X	X	X		70
2	Warp	X	X	X		350
3	Inter-Cycle Flash	X	X			
4	Double Flash	X	X	X		70
5	Quad Flash	X	X	X		80
6	Power Pulse	X	X	X		180
7	Road Runner	X	X	X		113
8	Q-Switch	X	X			
9	Road Runner Steady Burn	X	X			113
10	Quad Steady Burn	X	X			80
11	E-Ideal Single Flash	X	X	X		200
12	E-Ideal Double Flash	X	X	X		146
13	Quad2 Flash	X	X	X		67
14	Double2 Flash	X	X	X		95
15	X-Warp				X	
16	X-Double				X	
17	PowerRunner	X	X	X		
18	LCR Quint	X	X	X		
19	Warp <sup>2</sup>	X	X	X		
20	Ultra Warp	X	X	X		545
21	Thunder and Lightning	X	X			
22	LiteSpeed	X	X	X		85
23	SuperSonic	X	X	X		170
24	LCR LiteSpeed	X	X	X		
25	SuperSonic Ultra	X	X	X		
26	TempoShift	X	X	X		
27	TempoShift Warp	X	X	X		
28	SBE2	X	X	X		67
29	C <sup>2</sup>	X	X	X		200
30	U <sup>2</sup>	X	X	X		176
31	UltraGlow	X	X	X		
32	Cyclone	X	X	X		
33	Chameleon	X	X	X		

**IMPORTANT: DO NOT** connect this device to a strobe power supply.

### OPERATING INSTRUCTIONS

The Dual PREDATOR II comes equipped with its own selectable 33 pattern flasher and pattern memory. When desired pattern is selected, it will automatically be stored in the PREDATOR II memory and will come up every time the predator is turned on.

- Connect the PREDATOR II BLACK wire to a good, convenient ground.
- Connect the PREDATOR II RED wire to one side of a user supplied on/off switch. Connect the other side of the switch, through a 7.5Amp fuse, to a source of +12Vdc.

### PATTERN SELECTION

- Turn PREDATOR II ON.
- Touching and removing the WHITE wire to ground will advance the PREDATOR II to the next flash pattern. See flash pattern table. Continuing to touch and remove the WHITE wire will allow you to scroll through the pattern list. After pattern #33 is reached the list will start over again at pattern #1. Tape up and secure the WHITE wire if a permanent flash pattern is desired. If a changeable pattern is desired, connect the WHITE wire to a switch.

### PATTERN RESET

- Remove power.
- Place WHITE (sync) wire to ground.
- With sync wire grounded, re-power RED wire.
- Maintain for one second (light will dim).
- Remove power and ground (pattern 1 set).

NOTE: The PREDATOR II is a factory sealed unit that CANNOT be serviced in the field. Any attempt to gain access to the PREDATOR II unit will most likely cause permanent damage and void its warranty.