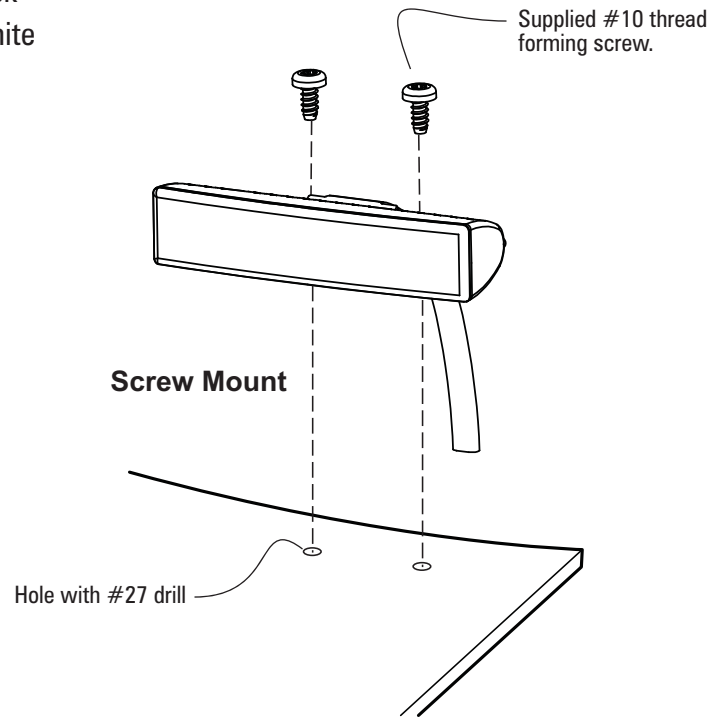


GHOST™

by SoundOff Signal

STEADY ON GHOST™ LIGHT

EGHSTS4(x)B - Black
EGHSTS4(x)W - White



Important Information:

- DO NOT install this product or route any wires in the Air Bag Deployment Zone. Refer to your vehicle Owner's Manual for the location of any air bag deployment zones.
- DO NOT connect this device to a strobe power supply. This product is self-contained and does not require an external power supply.

INSTALLATION:

1. **Screw Mount** - Establish a position on the vehicle. Use the mounting slots as a template to mark hole locations. Drill a hole using a #27 drill bit. The Torx screws provided are self-tapping.
2. Loosen the two #10 TORX screws on the back of each housing to adjust the angle of the GHOST. After adjustment, tighten the TORX screws.

OPERATION:

WIRE CONNECTIONS

1. Connect the GHOST™ BLACK wire to a good, convenient ground.
2. Connect the GHOST™ RED and WHITE wire to one side of a user supplied on/off switch. Connect the other side of the switch, through a 3Amp fuse, to a source of +10-30Vdc. Both RED and WHITE wires **MUST** be connected to power.

NOTE: The GHOST™ is a factory sealed unit that **CANNOT** be serviced in the field. Any attempt to gain access to the GHOST™ unit will most likely cause permanent damage and void its warranty.

TECHNICAL SPECIFICATIONS

Overall Dimensions:	4.0"L x 0.88"H x 1.75"D
Input Voltage Range:	10-30Vdc
Current Consumption:	0.45A @ 12.8Vdc 0.23 @ 25.6Vdc
# of LEDs:	6 Generation 3 LEDs
Operating Temperature:	-40° to +65° C

WIRE HOOK-UP TABLE

WIRE COLOR:	CONNECT TO:
RED	+10-30Vdc
BLACK	Ground (-)
WHITE	+10-30Vdc

⚠ WARNING

This product contains high intensity LED devices. To prevent eye damage, DO NOT stare into light beam at close range.

To review our Limited Warranty Statement & Return Policy for this or any SoundOff Signal product please visit our website at www.soundoffsignal.com and select the "Warranty & Returns" link along the left column of our home page. If you have questions regarding this product please contact Technical Services, Monday - Friday, 8 am to 5 pm at 1.800.338.7337, press #4 to skip the automated message. Questions or comments that do not require immediate attention may be emailed to techsupport@soundoffsignal.com.

1.800.338.7337. / www.soundoffsignal.com / Thank you for trusting us with your safety!