

GHOST™

by SoundOff Signal

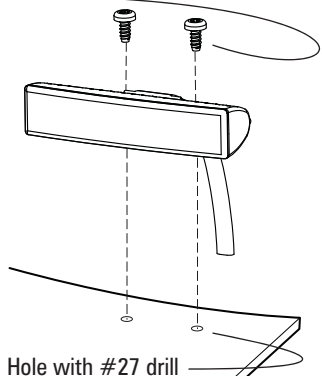
GHOST™ L.E.D. DECK, GRILLE INTERIOR, EXTERIOR LIGHT

EGHSTE1(x)B - Black

EGHSTE1(x)W - White

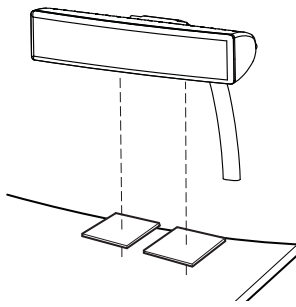
EGHSTE1(x)C - Chrome

Supplied #10 thread forming screw.

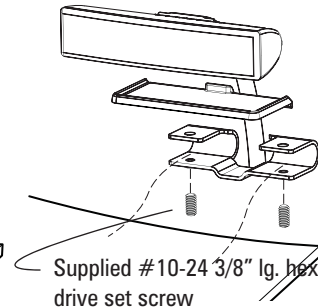


Hole with #27 drill

Screw Mount



Adhesive Mount



Supplied #10-24 3/8" lg. hex drive set screw

'U' bracket

Important Information:

- Warning devices are strictly regulated and governed by Federal, State and Municipal ordinances. These devices shall be used ONLY on approved vehicles. It is the sole responsibility of the user of these devices to ensure compliance.
- DO NOT install this product or route any wires in the Air Bag Deployment Zone. Refer to your vehicle Owner's Manual for the location of any air bag deployment zones.
- DO NOT connect this device to a strobe power supply. This product is self-contained and does not require an external power supply.

SoundOff
Signal

INSTALLATION:

1. Screw Mount

Establish a position on the vehicle. Use the mounting slots as a template to mark hole locations. Drill a hole using a #27 drill bit. The Torx screws provided are self-tapping.

Loosen the two #10 TORX screws on the back of each housing to adjust the angle of the GHOST. After adjustment, tighten the TORX screws.

2. Adhesive Mount

To obtain optimum adhesion, the bonding surfaces must be well unified, clean and dry. Peel one side of each adhesive mounting patch provided. Apply each rectangular patch to the bottom of the GHOST housing. Position the GHOST on the vehicle and mark 2 edges of the location using tape. Peel the remaining paper from the adhesive patch and carefully position the light using the tape template. Press down on housing firmly to insure good adhesive contact. Important: Apply carefully; adjustment is not possible after the adhesive bonds. Ultimate strength of adhesive is achieved after 24 hours.

Loosen the two #10 TORX screws on the back of each housing to adjust the angle of the GHOST. After adjustment, tighten the TORX screws.

3. New 'U' bracket for mounting on hood or trunk edge.

Open the hood or trunk that will be the attachment surface. Place the rubber pad provided on the surface, insuring that the lower lip is on the edge of the sheet metal. Fit the 'U' bracket to the back of the GHOST light base, nesting the bracket holes with the pins on the light base. Slide the assembly onto the rubber pad. Tighten the four set screws.

Loosen the two #10 TORX screws on the back of each housing to adjust the angle of the GHOST. After adjustment, tighten the TORX screws.

OPERATION:

WIRE CONNECTIONS

See setup procedure on second page.

The single GHOST comes equipped with an internal flasher with 3 user selectable patterns that can be synchronized either alternating or simultaneous with up to three other lights. It can also be put into slave mode and driven through an external flasher.

1. Connect the GHOST BLACK wire to a good, convenient ground.

2. Connect the GHOST RED wire to one side of a user supplied on/off switch. Connect the other side of the switch, through a 5Amp fuse, to a source of +10-30Vdc.

3. Cruise mode is activated by applying power to BROWN wire while RED wire is powered. NOTE: Cruise mode is STEADY-ON at 20% light output.

4. To sync lights and make pattern selections see reverse side.

TECHNICAL SPECIFICATIONS

Overall Dimensions:	4"L x 0.88"H x 1.75"D
Input Voltage Range:	10-30Vdc
Current Consumption:	0.75 Amps max/ module*
Light Sync Technology	Yes
Operating Temperature:	-20° to +65° C
# of Flash Patterns	3

*Pattern Dependent

⚠ WARNING
This product contains high intensity LED devices. To prevent eye damage, DO NOT stare into light beam at close range.

To review our Limited Warranty Statement & Return Policy for this or any SoundOff Signal product please visit our website at www.soundoffsignal.com and select the "Warranty & Returns" link along the left column of our home page. If you have questions regarding this product please contact Technical Services, Monday - Friday, 8 am to 5 pm at 1.800.338.7337, press #4 to skip the automated message. Questions or comments that do not require immediate attention may be emailed to techsupport@soundoffsignal.com.

1.800.338.7337. / www.soundoffsignal.com / Thank you for trusting us with your safety!



GHOST™ L.E.D. DECK, GRILLE INTERIOR, EXTERIOR LIGHT

EGHSTE1(x)B - Black

EGHSTE1(x)W - White

EGHSTE1(x)C - Chrome

ECE GHOST Sync Configuration Instructions IMPORTANT! A MAXIMUM OF 4 SINGLE LIGHTS CAN BE SYNCED TOGETHER

1. Set ID#
 - a. Identify which pattern and sequence you want and look up ID# settings at right.
 - b. Connections
 - i. RED: +12Vdc
 - ii. WHT: +12Vdc (Note: you will need to disconnect after power is applied)
 - iii. BLK: Ground
 - c. Apply power to unit
 - d. Without disconnecting power from unit, disconnect WHT wire
 - e. Momentarily connect WHT to Ground to change ID #
 - i. Identify ID# by number of sequential flashes
 - ii. Possible ID#s: 1 – 4
 - f. Disconnect power from unit to get out of ID mode.
2. Set Pattern
 - a. Reapply power to units.
 - b. Once all Light Head ID#s are configured, make sure all lights are flashing the same pattern
 - c. Connect corresponding colored wires of all units together: RED to RED, etc.
 - d. Change Pattern
 - i. Momentarily touch WHT wires to Ground
 - ii. Observe pattern change on all lights connected
 - e. Insulate all wires by taping with electrical tape
3. Connect Master Switch for Application
 - a. IMPORTANT! Ensure WHT Pattern/Sync Wires are tied together

1 LIGHT

Single Light Operation: Follow the ID Selection steps and set the ECE GHOST to ID#1 if it is not already.

2 LIGHTS

ALTERNATING: To obtain Alternating patterns, follow the ID SELECTION steps and set one ECE GHOST to ID#1 and the other to ID#3. Then proceed to the PATTERN SELECTION steps.

SIMULTANEOUS: To obtain Simultaneous patterns, follow the ID SELECTION steps and set both ECE GHOST lights to ID#1. Then proceed to PATTERN SELECTION steps.

SLAVE MODE

The GHOST is capable of being activated through the use of a user supplied flasher by putting it in slave mode.

1. Permanently connect the GHOST WHITE and BLACK wire to a good, convenient ground.
2. Connect the GHOST RED wire, through a 5Amp fuse, to the output of a +10-30Vdc switching flasher.

PATTERN RESET

1. Remove power
2. Place WHITE (sync) wire to ground
3. With sync wire grounded, re-power RED wire
4. Maintain for one second (light will dim)
5. Remove power and ground (pattern 1 set)

NOTE:

The GHOST is a factory sealed unit that CANNOT be serviced in the field. Any attempt to gain access to the GHOST unit will most likely cause permanent damage and void its warranty.

Flash Patterns	
Flash Patterns	FPM (Flashes per Minute)
1. Single	125
2. Double	125
3. Triple	123

WIRE HOOK-UP TABLE	
WIRE COLOR:	CONNECT TO:
RED	+ 10-30Vdc
BLACK	Ground (-)
WHITE	ID/Pattern Select
BROWN WIRE	+ 10-30Vdc

