

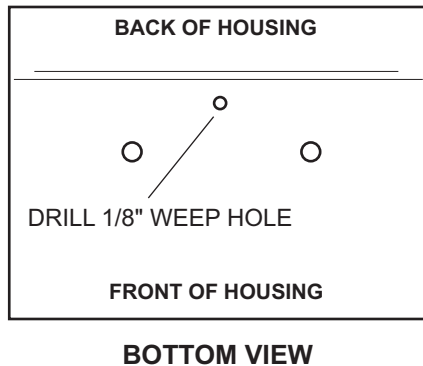
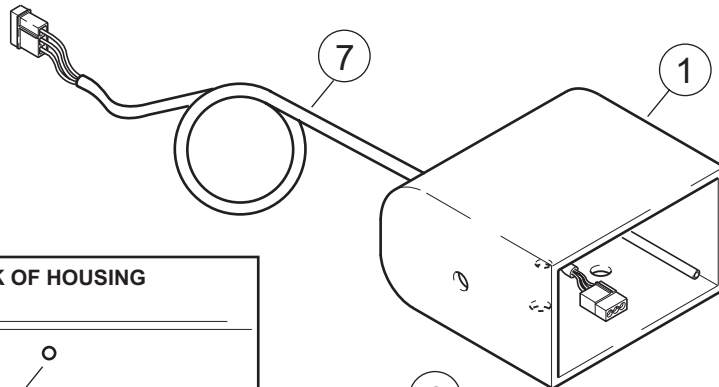
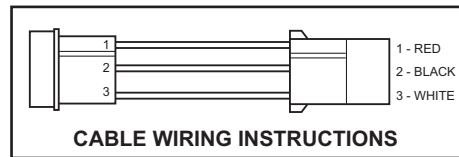


# REMOTE SINGLE STROBE (FOR INTERIOR AND EXTERIOR USE) E24DSBD(x)

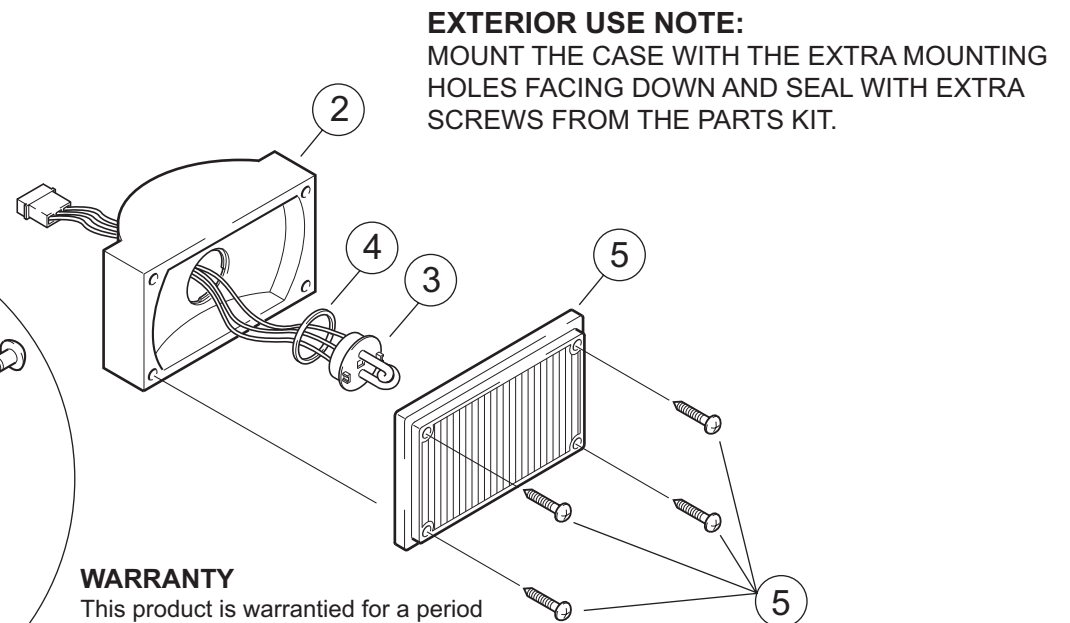
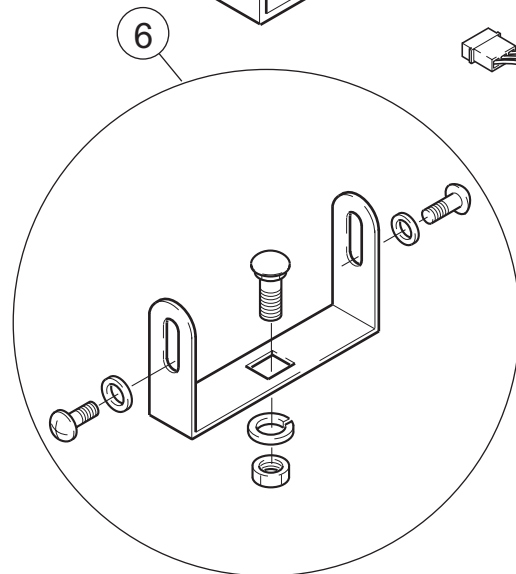
## REPLACEMENT PART ORDER INFORMATION

	QTY	PART#	DESCRIPTION
1	1	PBPHG24S	SINGLE LIGHT HOUSING
2	1	PRFTL248	TWIST LOCK REFLECTOR
3	1	PFI35SC	TWIST LOCK STROBE TUBE
4	1	PTLGAS06	STROBE TUBE GASKET
5	1	PLE248R	RED LENS / GASKET / SCREWS
5	1	PLE248B	BLUE LENS / GASKET / SCREWS
5	1	PLE248A	AMBER LENS / GASKET / SCREWS
5	1	PLE248C	CLEAR LENS / GASKET / SCREWS
5	1	PLE248G	GREEN LENS / GASKET / SCREWS
6	1	PUBKT24	SINGLE "U" BRACKET / HRDWR KIT
7	1	ETSC15EA	15' / 3 WIRE STROBE CABLE

3900 Central Parkway  
Hudsonville, MI 49426  
toll free 800.338.7337  
office 616.896.7100  
techsupport@soundoffsignal.com  
www.soundoffsignal.com



**NOTE**  
Condensation may form inside the light housing due to certain temperature/humidity conditions. This condensation may eventually fill the inside of the light housing possibly damaging the light housing. If condensation occurs, drill a 1/8" weep hole in the bottom of the housing to allow the light to drain.



**WARRANTY**  
This product is warranted for a period of one (1) full year for all parts including bulbs and strobe tubes. Self-contained units have a two (2) year warranty for the Power Supply and Flasher units. Warranty claims should be returned directly to Sound Off, Inc.; Att: Warranty / Repair Dept. for consideration. No Return Authorization is required.