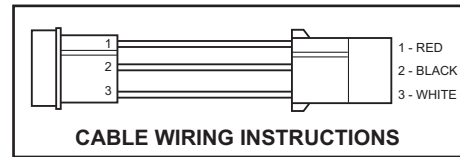




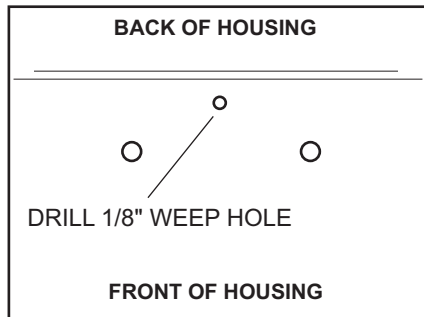
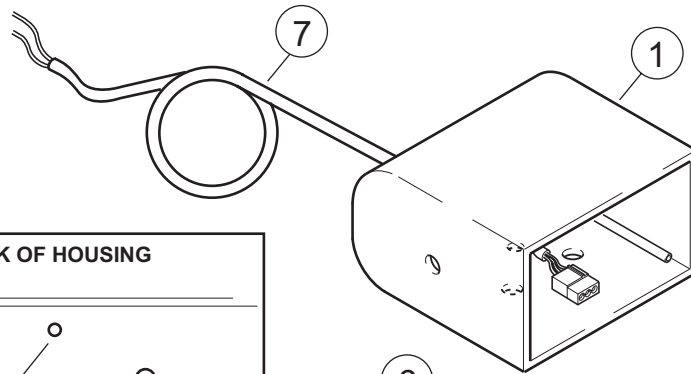
SINGLE HALOGEN REMOTE (FOR INTERIOR AND EXTERIOR USE) E24DHBB

3900 Central Parkway
Hudsonville, MI 49426
toll free 800.338.7337
office 616.896.7100
techsupport@soundoffsignal.com
www.soundoffsignal.com



REPLACEMENT PART ORDER INFORMATION

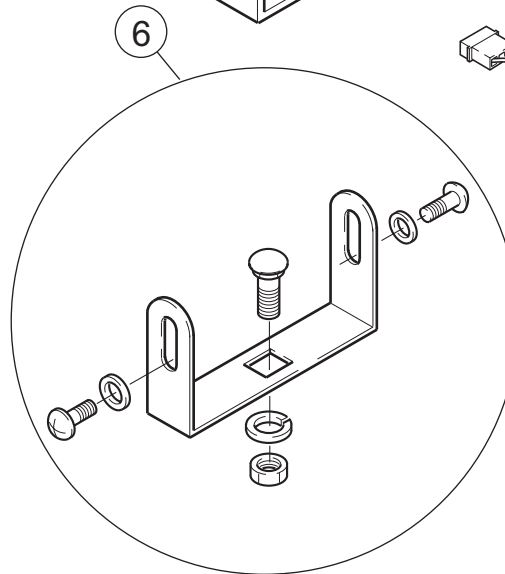
	QTY	PART#	DESCRIPTION
1	1	PBPHG24S	SINGLE LIGHT HOUSING
2	1	PRFTL248	TWIST LOCK REFLECTOR
3	1	PFI35HC	TWIST LOCK HALOGEN BULB
4	1	PTLGAS06	STROBE TUBE GASKET
5	1	PLE248R	RED LENS / GASKET / SCREWS
5	1	PLE248B	BLUE LENS / GASKET / SCREWS
5	1	PLE248A	AMBER LENS / GASKET / SCREWS
5	1	PLE248C	CLEAR LENS / GASKET / SCREWS
5	1	PLE248G	GREEN LENS / GASKET / SCREWS
6	1	PUBKT24	SINGLE "U" BRACKET / HRDWR KIT
7	1	ETSC15EA	15' / 3 WIRE STROBE CABLE



BOTTOM VIEW

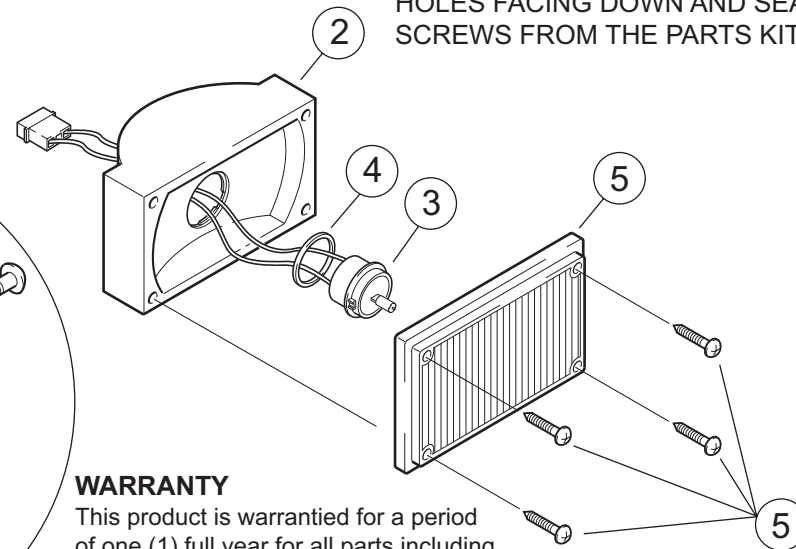
NOTE

Condensation may form inside the light housing due to certain temperature/humidity conditions. This condensation may eventually fill the inside of the light housing possibly damaging the light housing. If condensation occurs, drill a 1/8" weep hole in the bottom of the housing to allow the light to drain.



EXTERIOR USE NOTE:

MOUNT THE CASE WITH THE EXTRA MOUNTING HOLES FACING DOWN AND SEAL WITH EXTRA SCREWS FROM THE PARTS KIT.



WARRANTY

This product is warranted for a period of one (1) full year for all parts including bulbs and strobe tubes. Self-contained units have a two (2) year warranty for the Power Supply and Flasher units. Warranty claims should be returned directly to Sound Off, Inc.; Att: Warranty / Repair Dept. for consideration. No Return Authorization is required.