

## 5000 SERIES FLAT MOUNT STROBE BEACON 5157LF(x) [x: A=Amber, C=Clear]

**WARNING**  
**HIGH VOLTAGE!** Wait 15 Minutes after  
shutting OFF before servicing this unit.

### SPECIFICATIONS

Voltage	10-30 Vdc
Current	1.5 amp @ 12.8 Vdc
Flash Mode	User selectable Double or Quad
Mounting	Flat Mount Only

### INSTALLATION

Use the Beacon gasket / base as a template to mark the mounting holes.

Secure Beacon and gasket to the vehicle by routing red, black and yellow wires through the entry hole in the base into vehicle.

### IMPORTANT!!!

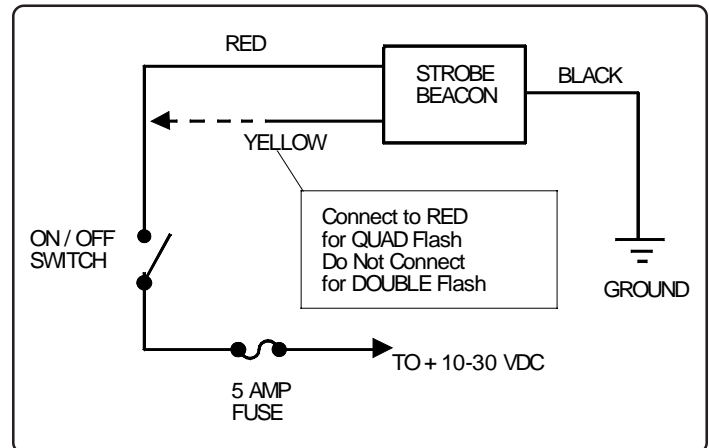
Do **NOT** overtighten mounting screws. Tighten only until gasket is slightly compressed.

**BLACK WIRE:** Connect to a convenient reliable ground.

**RED WIRE:** Connect to one side of a user supplied switch. Connect the other side of the switch to a power source through a 5 amp fuse. Connect the fuse close to a power source.

**YELLOW WIRE:** Double Pattern Flash - DO NOT connect the yellow wire. Tape up end.

Quad Pattern Flash - "T" or tap the yellow wire into the red wire, see diagram.



### WARRANTY

SoundOff Signal warrants this Beacon for one (1) full year from the date of purchase to the original purchaser against any manufactured defects or workmanship. This warranty applies only to units installed according to manufacturer's installation instructions and operated within the units specifications.

Warranty is void if the unit was installed incorrectly or maliciously damaged.

SoundOff Signal's obligation under this warranty is limited to replacing, adjusting or repairing this system or its damaged parts. All warranty claims must be accompanied by a dated proof of purchase.

SoundOff Signal retains the right to be the sole mediator of what constitutes defects in performance or manufacturing.