

## Directional Arrow Switch



#ETSWDASØ1

- Features 7 programmable Warning Modes & a fully illuminated display shows pattern activated & input selected
- Allows control for multiple directional arrow products with 6-low current (0.25 amps) + 10-30 Vdc outputs
- Made with a durable ABS plastic housing with an adjustable steel bracket
- Built-in Smart Sensor detects inputs from another switching source so it may be used with other manufacturers Directional Arrow products
- Includes Harness with 12" (31 cm) wire length
- For use with LED lighting products ONLY
- Compatible with APEX™, Pinnacle™ (EPL9000), ETL5000™ full sized LED lightbars. May also be used with Pinnacle™ (EPL8000) interior bars, UltraLITE™, TrafficMaster™ & Traffic Arrow™ directional/warning bars

6.5" (17 cm) W x 3.5" (89 mm) H x 1.2" (30 mm) D



## 900 Series 9 Function Switch



#ETSP9F

- Nine functions with a 3-position slide switch & 6 mini rocker switches
- Slide switch features 20 amps/output with LED indicator ON lights
- Switch has 4 - 20 amp fused switch outputs
- Made with a tough vinyl coated steel housing
- Interchangeable switch labels for easy switch identification: Rotating, Flashing, Rear Flashing, Front Flashing, Aux. 1, Aux. 2, Light Bar, Take Down, Left Alley, Right Alley, Deck Lts., Dash Lts., Grille Lts., & Gun Lock
- Includes Switch box with Universal Bracket, mounting hardware, switch labels & 18" pigtail w/ insulated quick connects for termination

6.2" (16 cm) W x 2.2" (56 mm) H x 5.2" (13 cm) D



## 600 Series 6 Function Switch



#ETSP6F

- Six mini rocker switches with red LED indicator ON lights
- Features a single 40 amp relay/circuit breaker with 5 - 20 amp fused switch outputs
- Durable ABS plastic housing
- Interchangeable legend labels for easy switch identification. Includes Rotating, Flashing, Aux. 1, Take Down, Left Alley, Right Alley, Strobe, Compartment. Lts., Work Lts., Grille & Deck Lts., Rear Lts. & Front Lt. Cut-Off
- Includes Switch box w/ Universal Bracket, mounting hardware, switch labels & 18" pigtail w/ insulated quick connects for termination

6.2" (16 cm) W x 2.2" (56 mm) H x 5.2" (13 cm) D



# IntelliSwitch993

**Digital Switch  
w/ Power Pursuit Buttons:  
#ETSP993**

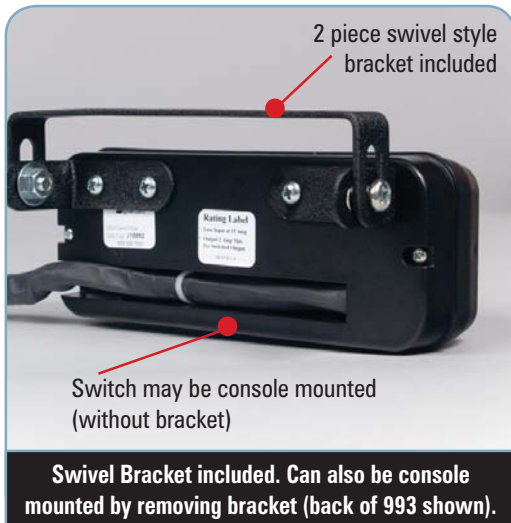
2 Hidden Membrane Switches  
behind the logo

3 Power Pursuit Buttons can control any  
combination of the switches below



# IntelliSwitch990

**60 Amp Digital Switch:  
#ETSP990**



- **INTELLSwitch models offer high speed action, low current draw & increased reliability with efficient digital technology.** Both models feature Ryno-Tuf push buttons, 60 title legend sheets & optional bracket with mounting hardware. Switches can be console mounted if desired

- **Compact, slim design with self performing diagnostics** at power-up to ensure optimum performance. Both switches feature LED backlighting

- **INTELLSwitch993 model offers 11 programmable buttons:** 9 total Ryno-Tuf push buttons (3 Power Pursuit buttons) with 2 hidden "discreet" membrane buttons located behind the SoundOff logo. You can configure the Power Pursuit buttons to operate any combination of the 6 remaining push buttons automatically, eliminating hours of tedious wiring. The 2 hidden membrane switches can be programmed for discreet functions of your choice such as timed gun lock

- **INTELLSwitch990 model offers 6 Ryno-Tuf durable push buttons** that are fully programmable with 60 amps maximum output. One push button can be set as an 8 second timed momentary if needed



Tech Specs	INTELLSwitch™ 990 & 993
<b>Mounting:</b>	2-pc. swivel style bracket included or can be console mounted
<b>Input Voltage:</b>	12 Vdc
<b>Current Draw:</b>	#ETSP990 - 60 amps max #ETSP993 - 12 amps max
<b>Dimensions:</b>	Length x Height x Depth 6.5" (165 mm) L x 2.5" (64 mm) H x 2" (51 mm) D



# 400 SERIES Digital Handheld Siren

**NEW! Digital Handheld Siren**  
#ETSA461HPP



400 Series Digital Handheld Siren features an improved design with handheld mic & switch panel with remote mounted amplifier.

# 400 SERIES Digital Remote Siren

**NEW! Digital Remote Siren**  
#ETSA481RSP



400 Series Digital Remote Siren features console or bail bracket mount switch panel, mic with remote mounted amplifier.

- **Improved product design with no price increase**
- **New Horn Ring Scroll feature provides ability to quickly change tones with the tap of the horn**
- **Dimmable green LED backlighting**
- **Integrated Class D digital technology** prevents under/over voltage that causes burned out speakers or low volume output
- **Remote Siren Switch Panel may be console mounted or mounted with included universal Bail Bracket** (amplifier is mounted in a remote location such as the trunk)
- **Handheld Siren offers convenient handheld control**
- **200 watt with Dual Tone model releasing later 2012**



Hear the Tones! Go to our website at [www.soundoffsignal.com](http://www.soundoffsignal.com) & look for Sirens under "Warning Products".

# 400 SERIES Digital Multi-Function Siren

Coming Soon! #ETSA481CSR



400 Series Digital Multi-function Siren offers better programmability & improved product design.



400 Series Digital Multi-function Siren offers better programmability & improved product design.

## Class D technology

• **SoundOff Signal will be introducing a new series of Digital sirens including a new Handheld, Remote & Multi-function models.**

First responders will have plenty of programming options available with eight auxiliary buttons for one touch programming and a three-position slide switch for auxiliary buttons for mapping capability. This feature will allow users the ability to activate multiple one-touch button features by simply sliding the switch. The Horn Ring Scroll feature provides officers with the ability to quickly change tones with just a tap of the vehicle's horn. The 400 Series Siren features an eight second Buzzer Alert to notify the user that the Slide Switch or Auxiliary Buttons are activated.

• **400 Series Multi-Function Siren is a 10-16 volt system that operates a single 100 watt speaker.** The Siren features a Class D amplifier (compliant with SAE J1849) to consistently regulate 100 watts of output power to the speaker, eliminating over and under driving that can contribute to burned-out speakers or low-volume output. The Multi-Function Siren comes standard with internal fuses eliminating the need to purchase and install separately. A new and unique access opening allows for easy fuse replacement or trouble shooting. A 200 watt dual-toned version will be introduced in 2012.

• **Compliant with SAE J1849 and CA Title 13 certifications.** This smart little design has a 3 year warranty and is a great addition to your fleet.



# 380 SERIES Remote Siren

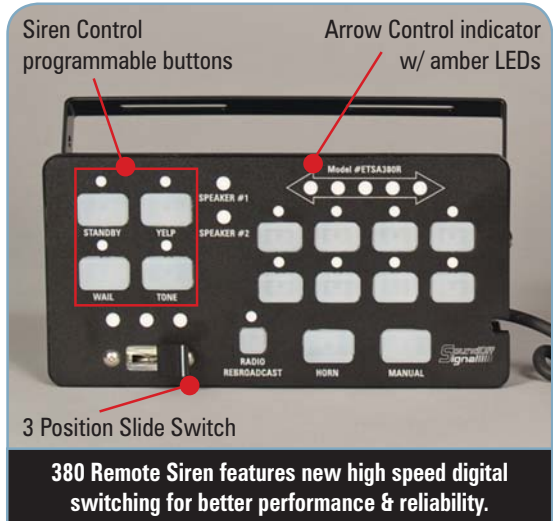


## Dual Tone Digital Siren: #ETSA380R



- **Dimmable (green) backlighting** can be adjusted to your desired brightness
- **Button Activation Alert Tone** – sounds every 8 seconds whenever pushbuttons or slide switch is activated to notify operator Class D Technology with high speed digital switching provides higher efficiency, less current draw & better reliability
- **Superior high vibration performance;** suitable for high vibration installations
- **Broadcast two tones simultaneously** with independent speaker outputs
- **Operates 1 or 2 speakers** (each with a 100 watt output)
- **Arrow Controller Indicator w/ LED backlight**
- **Control Panel can be console mounted or surface mounted** (includes universal bail bracket)
- **Features Remote Amplifier**
- **High durability rubber membrane push buttons** for maximum wear & tear
- **Siren control w/ 5 programmable push buttons** for Wail, Yelp, Standby, Horn & Manual override buttons plus 1 User Selectable Tone
- **Dedicated Radio Rebroadcast**
- **8 programmable push buttons** for On/Off, Camera System Control, Arrow Control, Lightbar & Auxiliary Lighting Control, Gun Lock Timer, Headlight/Tailight Flasher Control & Trunk Release
- **Mappable push buttons to slide switch** allows user to program push buttons to turn on when slide switch is changed
- **Diagnostic Indicator** warns of over voltage, under voltage, over temperature & over current problems
- **“Park Kill” feature** disables siren when the vehicle is placed in Park
- **Features 3-position slide switch w/ 20 amps per output**
- **50 amp total**

Hear the Tones! Go to our website at [www.soundoffsignal.com](http://www.soundoffsignal.com) & look for Sirens under "Warning Products".



# 385 SERIES Handheld Siren



**Digital Siren:  
#ETSA385HR**



High durability  
rubber membrane  
push buttons

Arrow Control  
w/ amber LED  
indicators

Fully programmable & sized to fit comfortably in  
the palm of your hand for natural operation.



NEW! Dimmable green LED backlighting can  
be adjusted to your desired brightness.



Complete kit includes Remote Amplifier, Handheld  
Controller, magnetic Holster & button Labels.

Hear the Tones! Go to our website at [www.soundoffsignal.com](http://www.soundoffsignal.com)  
& look for Sirens under "Warning Products".

- **The 385 Handheld Remote Siren** is a compact sized siren w/ remote amplifier & handheld controller
- **Class D Technology with high speed digital switching** provides higher efficiency, less current draw & better reliability
- **Operates a single 100 watt speaker** & is perfect for undercover vehicles & motorcycles
- **Handheld controller features built-in mic**
- **Tone & Push Button Mapping** with 6 fully programmable auxiliary push buttons for Momentary, 8 second delay, single button Alley, single button arrow, Left Alley, Right Alley, Left Arrow, Right Arrow & Center Out
- **Dimmable green backlighting** can be adjusted to your desired brightness
- **10-30 Vdc for compatibility in** all kinds of emergency warning vehicles
- **Single button Tone Control** scrolls through 1, 2 or 3 programmable tones
- **Fault detection** for voltage, under/over voltage, over temperature, speaker fault, relay & amplifier comm fault & relay output fault



Sirens - 385 Handheld & 380 Remote Dual Tone

1.800.338.7337 / [www.soundoffsignal.com](http://www.soundoffsignal.com)



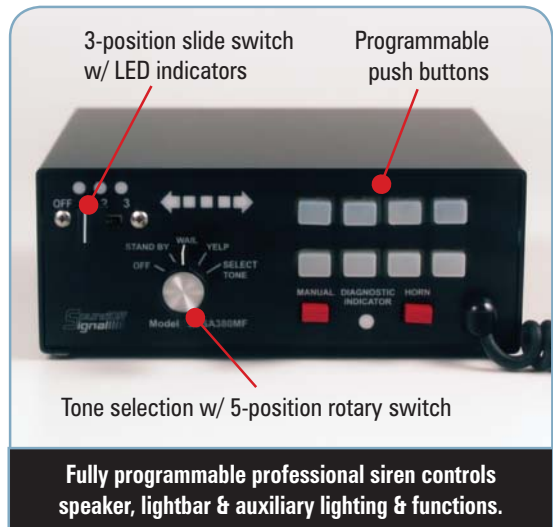
# 380 SERIES

## Multi-Function Siren

#ETSA380MF



- **Primary operating modes of Yelp, Wail, Radio, PA, Horn Override, User Selectable tone, & push-button Manual Override**
- **Operates a single 100 Watt speaker**
- **8 programmable Push Buttons** for Alternate Action (ON/OFF), Single Button Arrow Control (left, right & center out), Momentary Action, Radio Rebroadcast, 8 Second Delay for Gun Lock Timer, Single Button Arrow Control (left, right & center out)
- **2 outputs with independent connections to allow for high side or low side switching**
- **LED Arrow Indicator** displays Left Arrow, Right Arrow & Center Out
- **"Park Kill" feature disables siren** when the vehicle is placed in Park
- **Diagnostic LED Indicator** warns of over voltage, under voltage & over current issues
- **Includes** Amplifier w/ Universal Bail Bracket, Noise Cancelling Microphone, Wire Harnesses & Push Button Labels to identify buttons

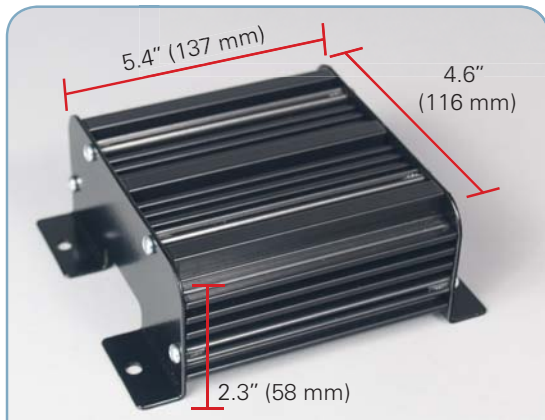


# 200 SERIES Compact Siren

#ETSA200R  
 #ETSA200RA w/ Molex Connector & Mating Harness  
 #ETSA200RW w/ Delphi Connector & Mating Harness



**Class D**  
technology



Remote Amplifier has a small, compact size perfect for motorcycles & undercover vehicles.



Install as a single 100 watt output or use with 2 - 58 watt outputs. Voltage Range: 10-30 Vdc.



Ships with Switch Panel. 3-position switch has 1-On/Off switch & 2 Momentary switches.

- **Compact Siren has a small size & remote amplifier** for tight spaces for undercover vehicles or motorcycles
- **Class D Technology with high speed digital switching** provides higher efficiency, less current draw & better reliability
- **Operates a single 100 watt speaker or dual 58 watt speakers**
- **5 popular Warning Tones** (up to 3 tones can be activated): Wail, Yelp, Piercer, Hi-Lo & Super Hi-Lo, plus 4 additional Air Horn tones available
- **Horn Ring (Hands Free operation)** controls the tones & can be programmed to play Warning or Air Horn tones. When driver presses the vehicle's horn it will activate or de-activate the siren in programmed tone
- **Volume Programming capability on Public Address (PA) & Radio Rebroadcast** sets the volume at a desired level during installation so when the driver selects either option, volume is automatically set
- **Park/Kill feature disables the siren** when the vehicle is placed in Park
- **Built-in protection** against over/under voltage, over/under temperature, short circuit & reverse polarity



Sirens - 380 Multi-Function & 200 Compact

1.800.338.7337 / www.soundoffsignal.com



# Speakers

 See website for speaker/bracket photos & install sheets.

## 100C Series Neodymium Professional Speaker

- Compact design with clear, powerful output with Neodymium magnet
- Perfect for public address and other high intelligibility communication & signaling applications
- Weatherproof & corrosion resistant cast aluminum housing
- Includes Universal Bail Bracket (shown in photo at right)



**#ETSS100C**

6.75" w x 6.625" h x 2.3125" d



### Vehicle Specific Brackets (speaker sold separately):

- Chevrolet Caprice .....#ETSS100BKCP-D,  
#ETSS100BKCP-P (D=driver side, P=passenger side)
- Chevrolet Impala '06+ .....#ETSS100BKPALA
- Chevrolet Tahoe '06 & older.....#ETSS100CBKTH
- Dodge Charger '11 .....#ETSS100CBKDC11
- Dodge Charger '06 - '10.....#ETSS100CBKDC
- Dodge Charger '06 - '10.....#ETSS100BKDC
- Ford Crown Vic Police Interceptor '05+ ....#ETSS100BKCV

## 420 Series Neodymium Continuous Duty Speaker

- Made with the most reliable & cost efficient 100 watt compression driver on the market
- Finished in black powder coat baked on epoxy
- Compression driver is the lightest (56% less) and lowest profile (31% less) of the conventional alnico based compression drivers
- Perfect choice for tight fitting locations where space or weight is a premium consideration
- The 11 ohm, 2.75" high temperature voice coil is oven baked on a high temperature & sealed with a special coating to withstand extreme temperatures and environmental conditions. Voice coil is further protected with a special magnetic cooling liquid that fills the voice gap and provides a thermal path.
- Produces 10 - 15% more magnetic flux density in the voice coil gap



**#ETSS4209**

**with Universal Bail Bracket**

5.25" h x 6.375" w x 3" d



### 420 Speaker w/ Vehicle Specific Brackets:

- Chevrolet Impala '05+ .....#ETSS4221B
- Chevrolet Impala '05+ .....#ETSS4202B
- Chevrolet Tahoe & GMC Yukon '02+ ....#ETSS4208B
- Dodge Charger '06+ .....#ETSS4220B
- Ford Crown Vic '02+ .....#ETSS4214B
- Ford Crown Vic '00+ .....#ETSS4204B
- Ford Excursion & F-250 '01+ .....#ETSS4219B
- Ford Expedition '00-'02.....#ETSS4207B
- Universal "L"-bracket, short.....#ETSS4206B
- Universal "L"-bracket, long .....#ETSS4201
- Universal Bail Bracket .....#ETSS4209

# Speakers

See website for speaker/bracket photos & install sheets.

## 100H Series Neodymium Professional Speaker

- Compact design with clear, powerful output with Neodymium magnet
- Dynamic sound for high intelligibility communication & signaling applications for emergency vehicles
- Tested rigorously for dust, high pressure water, corrosion & vibration
- Aluminum housing with a black powder coat finish resists corrosion
- Includes Universal Bail Bracket (shown in photo at right)



### Vehicle Specific Brackets (speaker sold separately):

- Chevrolet Caprice ..... #ETSS100BKCP-D,  
#ETSS100BKCP-P (D=driver side, P=passenger side)
- Chevrolet Impala '06+ ..... #ETSS100HPALA
- Chevrolet Tahoe '06 & older ..... #ETSS100HBKTH
- Dodge Charger '11 ..... #ETSS100CBKDC11
- Dodge Charger '06 - '10 ..... #ETSS100CBKDC
- Ford Crown Vic Police Interceptor '05+ ..... #ETSS100HBKCV



**#ETSS100H**

5.90" w x 5.80" h x 2.77" d

## 100D Series Professional Speaker

- Rugged speaker has undergone & outperformed a series of grueling tests for Dust, High & Low Temperature, Water, Salt & Vibration - this long-lasting speaker will stand up to all kinds of environmental conditions
- Dynamic sound for high intelligibility communication & signaling applications for emergency vehicles
- Can be mounted horizontally or vertically & designed for narrow spaces
- Aluminum housing with a black powder coat finish resists corrosion
- Includes Universal Bail Bracket (shown in photo at right)



### Vehicle Specific Brackets (speaker sold separately):

- Chevrolet Caprice ..... #ETSS100BKCP-D,  
#ETSS100BKCP-P (D=driver side, P=passenger side)
- Chevrolet Impala '06+ ..... #ETSS100DBKPALA
- Chevrolet Tahoe '06+ ..... #ETSS100DBKCT
- Dodge Charger '11 ..... #ETSS100CBKDC11
- Dodge Charger '06 - '10 ..... #ETSS100BKDC
- Dodge Charger '06 - '10 ..... #ETSS100CBKDC
- Ford Crown Vic Police Interceptor '05+ ..... #ETSS100DBKCV



**#ETSS100D**

6.75" w x 6.34" h x 2.96" d

## 100E Series Professional Speaker

- Deep sound with 100 watt power for high intelligibility & sound penetration
- Larger size for larger vehicles w/ a rugged & weatherproof construction
- Suitable for installation within engine compartments, front of the radiator or exterior mount on the bumper



### Vehicle Specific Brackets (speaker sold separately):

- Chevrolet Impala '06+ ..... #ETSS100BKPALA
- Dodge Charger '06+ ..... #ETSS100CBKDC
- Ford Crown Vic Police Interceptor '05+ ..... #ETSS100BKCV



**#ETSS100E**

8" w x 5.5" h x 7" d