



3900 Central Parkway
Hudsonville, MI 49426
toll free 800.338.7337
office 616.896.7100
techsupport@soundoffsignal.com
www.soundoffsignal.com

PART NUMBERS

ECVR41STT	4" (RED) Stop Tail Turn Light
ECVR42STT	4" (RED) Stop Tail Turn Light w/ Grommet and Pigtail
ECVR43STT	4" (RED) Stop Tail Turn Light w/ Snap Flange and Pigtail
ECVR44STT	4" (RED) Stop Tail Turn Light w/ Integrated Flange and Pigtail
ECVR41TY	4" (YELLOW) Rear Turn Light
ECVR42TY	4" (YELLOW) Rear Turn Light w/ Grommet and Pigtail
ECVR43TY	4" (YELLOW) Rear Turn Light w/ Snap Flange and Pigtail
ECVR44TY	4" (YELLOW) Rear Turn Light w/ Integrated Flange and Pigtail
ECVR41TYC	4" (YELLOW) Rear Turn Light w/ Clear Lens
ECVR42TYC	4" (YELLOW) Rear Turn Light w/ Grommet, Pigtail, Clear Lens
ECVR41STTC	4" (YELLOW) Rear Turn Light w/ Clear Lens
ECVR42STTC	4" (YELLOW) Rear Turn Light w/ Grommet, Pigtail, Clear Lens
ECVR43STTC	4" (YELLOW) Rear Turn Light w/ Snap Flange, Pigtail, Clear Lens
ECVR4GRMT	4" Round Grommet ONLY
ECVR4SRNG	4" Round Snap Flange ONLY
ECVR42STT-24V	4" (RED) Stop Tail Turn Light w/ Grommet and Pigtail (24 Volt)
ECVR42TY-24V	4" (YELLOW) Rear Turn Light w/ Grommet and Pigtail (24 Volt)
ECVR44STT-NC	4" (RED) Stop Tail Turn w/Integrated Flange and no connector
ECVR44TY-NC	4" (YELLOW) Rear Turn Light w/Integrated Flange and no connector

MOUNTING INSTRUCTIONS

Grommet

- Cut a 4-1/2" hole in the vehicle if needed.
- Push rubber grommet into the hole until it seats.
- Feed the light wires through the hole and connect to the wire harness in the vehicle.

NOTE: Connector on the light is designed to mate with an AMP Sure Seal Connector.

- Push the light into the grommet until it seats.

Snap Flange

- Cut a 4-1/2" hole in the vehicle if needed.
- Push the light into the rear of the snap flange until it SNAPS.
- Connect the light to the wire harness in vehicle.

NOTE: Connector on the light is designed to mate with an AMP Sure Seal Connector.

- Align the light and snap flange assembly to the hole and secure it to the vehicle with screws.

Integrated Flange

- Cut a 4-1/2" hole in the vehicle if needed.
- Connect the light to the wire harness in vehicle.

NOTE: Connector on the light is designed to mate with an AMP Sure Seal Connector.

- Align the light assembly to the hole and secure it to the vehicle with screws.

WIRING INSTRUCTIONS

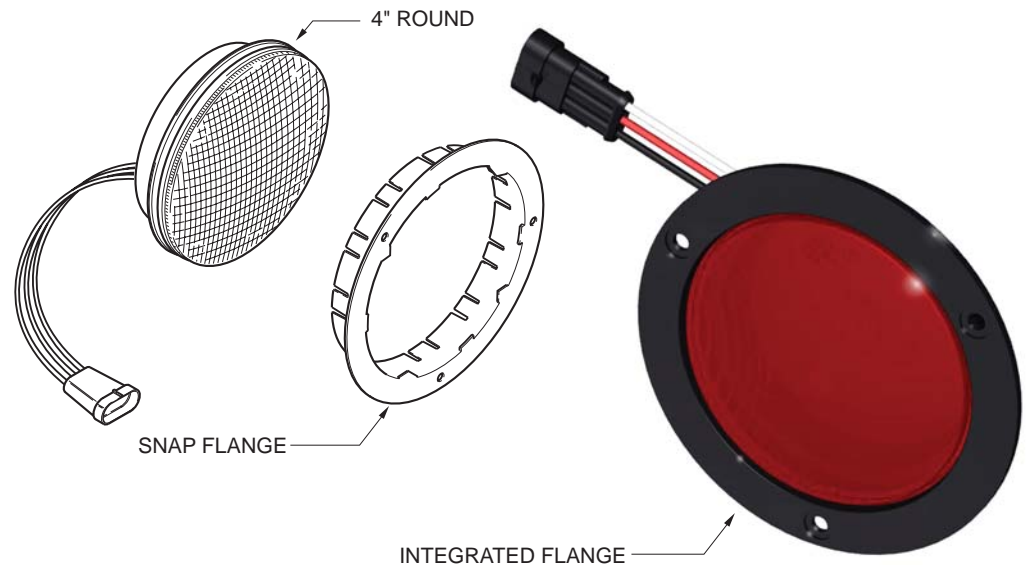
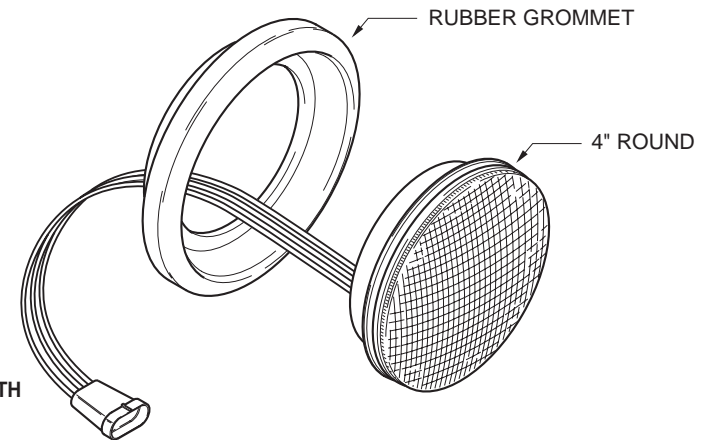
Stop Tail Turn Lights

Connect WHITE wire to ground.
Connect BLACK wire to vehicle tail light wire.
Connect RED wire to vehicle brake light wire.

Turn Light

Connect WHITE wire to ground.
Connect BLACK wire to vehicle tail light wire.
Connect RED wire to vehicle turn signal wire.

4" ROUND STOP TAIL TURN LED LIGHT 4" ROUND TURN LED LIGHTS



WARRANTY

Except for our limited warranty, available on our website at www.soundoffsignal.com, a hard copy of which can be obtained from SoundOff Signal upon request, all other guarantees or warranties including the implied warranty of merchantability and the implied warranty of fitness for any particular purpose are void and of no effect, unless specifically agreed to in writing by SoundOff Signal.