

## 7" ROUND LIGHT

RED STOP TAIL TURN LED LIGHT (ECV7561STT)  
RED REAR TURN LED LIGHT (ECV7561TR)  
YELLOW REAR TURN LED LIGHT (ECV7561TY)  
YELLOW FRONT TURN LED LIGHT (ECV7561FPTY)  
WHITE REVERSE, DUAL LAMP SYSTEM (ECV7561B2W)

### MOUNTING INSTRUCTIONS

1. Use the light as a template to mark the holes that secure the light. Insure that the mounting hole next to the Sound Off logo is at TOP. Use a 3/8" drill to create the wire feed hole in the body of the vehicle, if none exist.
2. Mount to vehicle using four (4) screws. Refer to Figure 1. Check to make sure the light is square to the vehicle as this will effect the aiming of the light. Torque setting for mounting must not exceed 10in-lbs.

### WIRING INSTRUCTIONS

#### STOP TAIL TURN / FRONT TURN

Connect the white wire to ground.  
Connect the red wire to the brake light positive wire.  
Connect the black wire to the tail light positive wire.

#### TURN

Connect the white wire to ground.  
Connect the red wire to the turn light plus wire.

#### REVERSE / BACKUP

Connect the white wire to ground.  
Connect the red wire to the reverse light plus wire.

#### WARNING

Please check with the vehicle manufacturer when replacing OEM Incandescent Lights with LED Lights to make sure they are compatible with the vehicle's electrical system.

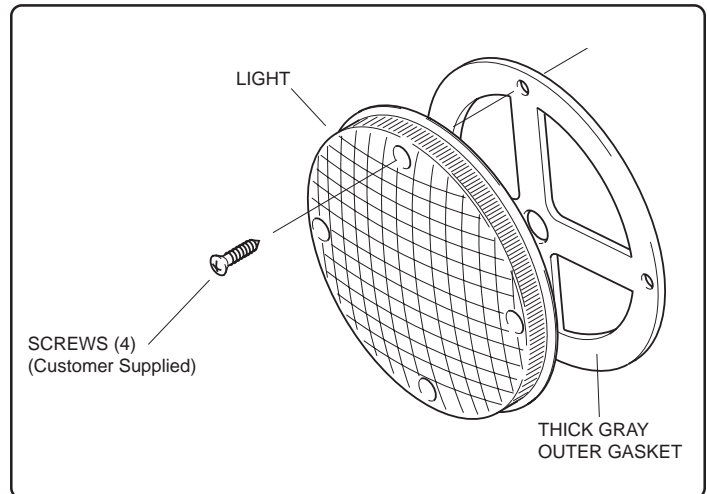


Figure 1.

#### WARNING

This product contains high intensity LED devices. To prevent eye damage, DO NOT stare into light beam at close range.

### WARRANTY

Except for our limited warranty, available on our website at [www.soundoffsignal.com](http://www.soundoffsignal.com), a hard copy of which can be obtained from SoundOff Signal upon request, all other guarantees or warranties including the implied warranty of merchantability and the implied warranty of fitness for any particular purpose are void and of no effect, unless specifically agreed to in writing by SoundOff Signal.